

## Mode Spring Operated with Autostop Roller Blind

### Product Information

**Mode Spring Operated Autostop Roller Blind** is elegant in appearance, Verosol's Mode Autostop Roller Blind is the answer to a premium roller blind.

Perfect for tall, hard to reach windows due to its spring assisted lift. No chains and elegant in appearance, Mode Autostop function is easily activated. Incorporating a tuned counter-balancing spring, providing exceptional ease of operation.

Combining advanced auto-stop technology merged into a sleek modern design, this makes the Mode Autostop Roller Blind one of the most exclusive roller blinds in the market.

### Further Information

To find out more information phone Verosol Customer Care on 1800 721 404 or visit [www.verosol.com.au](http://www.verosol.com.au)

### Technical Information



Product Code	R207.1	
Product Name	Mode Spring Operated with Autostop Roller Blind	
Operation	Spring with Autostop	
Dimensions	Width	600mm minimum - 2200mm maximum
	Drop	500mm minimum - 3000mm maximum
	Maximum Area	6m <sup>2</sup>
Top Mounting Profile	Material	Extruded Aluminium Alloy
	Dimensions	36mm W x 11mm H
	Colours	Anodised: Clear
Roller Tube	Standard	40mm tube diameter Optimised for fabric weight and width of blind to reduce tube deflection
	Base Rail	Flat [11mm x 22mm], Round [22mm], Verosol [17mm x 28mm] or Elliptical [11mm x 22mm]
	Colours	Paint: White, Black and Sandstone      Anodised: Clear
Control	Mechanism	Preset stop (autostop)
	Colours	Grey
Brackets	Material	Spring loaded electroplated steel
	Colours	Silver

Turn over for optional extras

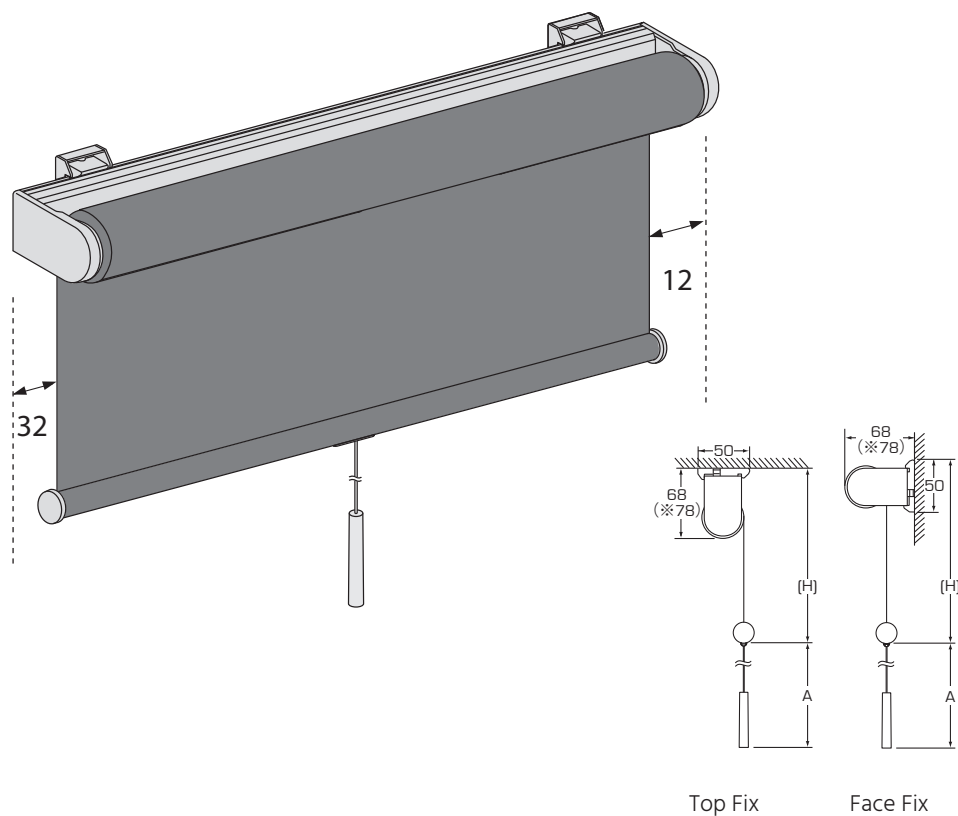
# Mode Spring with Autostop Roller Blind

Optional

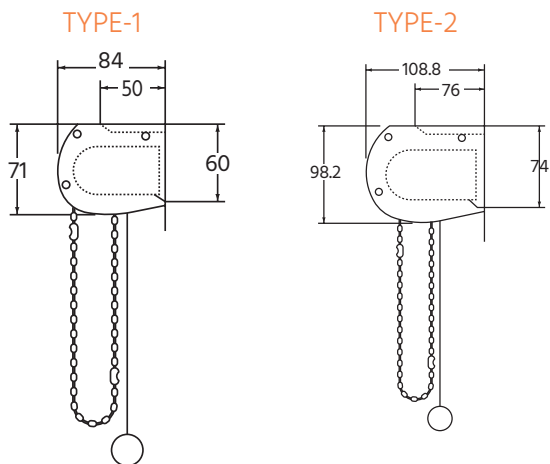
Headbox Options	Type	Mode Type 1	Mode Type 2
	Material	Extruded Aluminium Alloy [T5 Temper]	Extruded Aluminium Alloy [T5 Temper]
	Dimensions	84mm	108mm
	Colours	White and Clear Anodised	White and Clear Anodised

## System Diagrams

### Mode Spring with Autostop Roller Blind System



### Option - Head Cover



Available in White or Clear Anodised Only  
Not suitable for use on Mode Skylight Roller