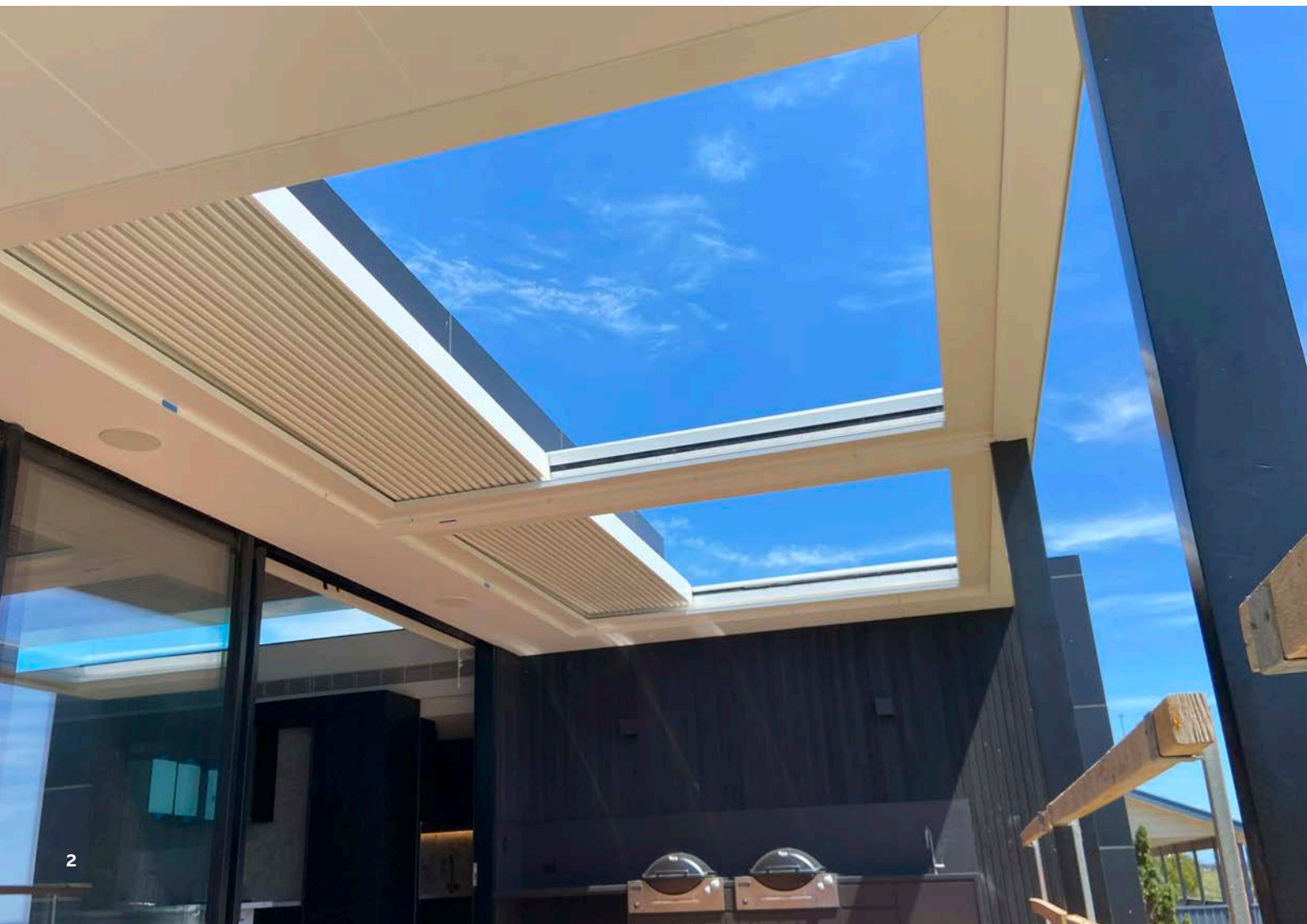




MASTERS OF SHADE





INTRO



DISCOVER OUR SLIMLINE RETRACT ROOFS

Louvretec is proud to bring you the new range of Retract Roof systems. With two distinct styles of Retract Roof Louvre blades to choose from, our Retract Roofs offer the best of both worlds.

Simply retract the Louvres back to enjoy the open sky above, and return them overhead when you need adjustable shade or cover.

What sets Louvretec's Retract Roofs apart is when the Louvre blades are back in place overhead, they remain adjustable, allowing you to create a perfect atmosphere for your requirements.

The Louvretec Retract Roof system is the result of years of research and development, creating a premium Retractable Roof that is reliable, smart, functional, and stylish.

We are confident you will appreciate our Retract Roofs as much as we do.



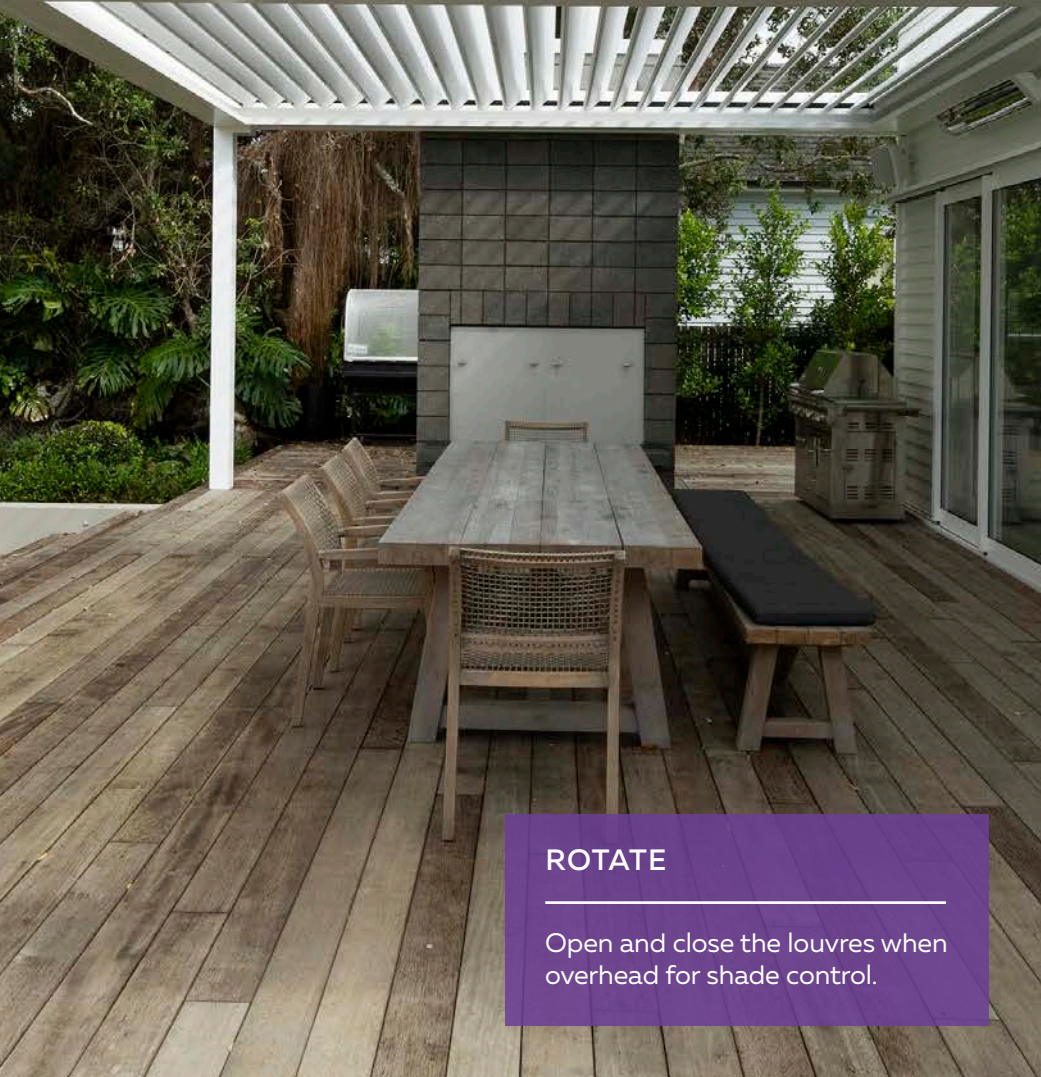
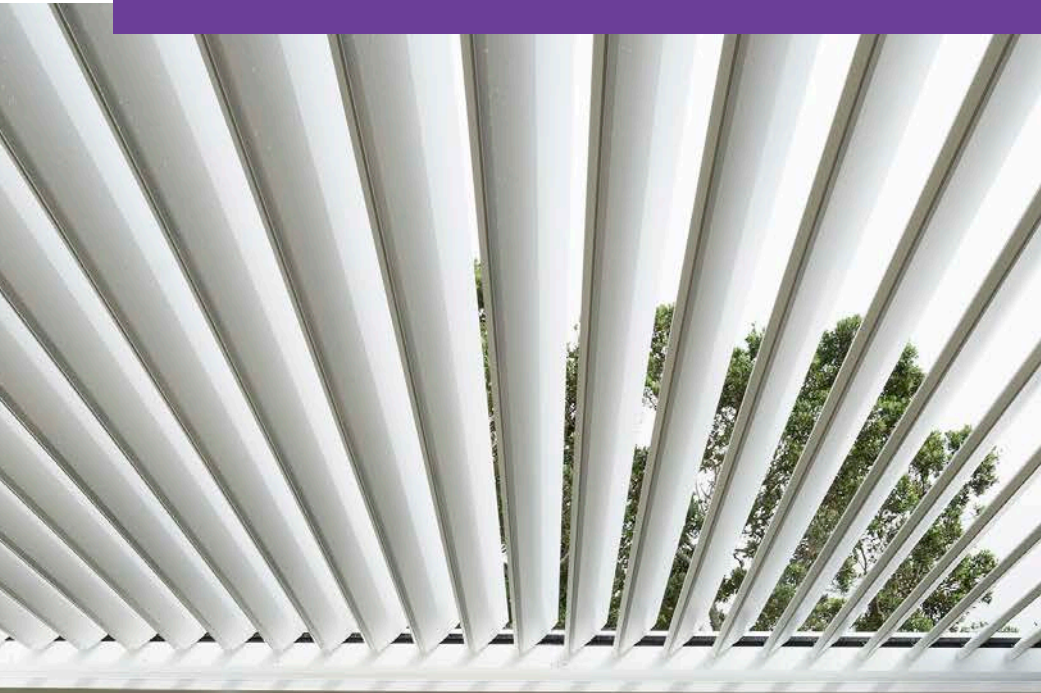
220/35 SLIMLINE
RETRACT ROOF



220/45 ALPINE
RETRACT ROOF

CONTENTS

6	220/35 Slimline Retract Roof
8	220/45 Alpine Retract Roof
10	Configuration Options
11	The Range and Spans



ROTATE

Open and close the louvres when overhead for shade control.

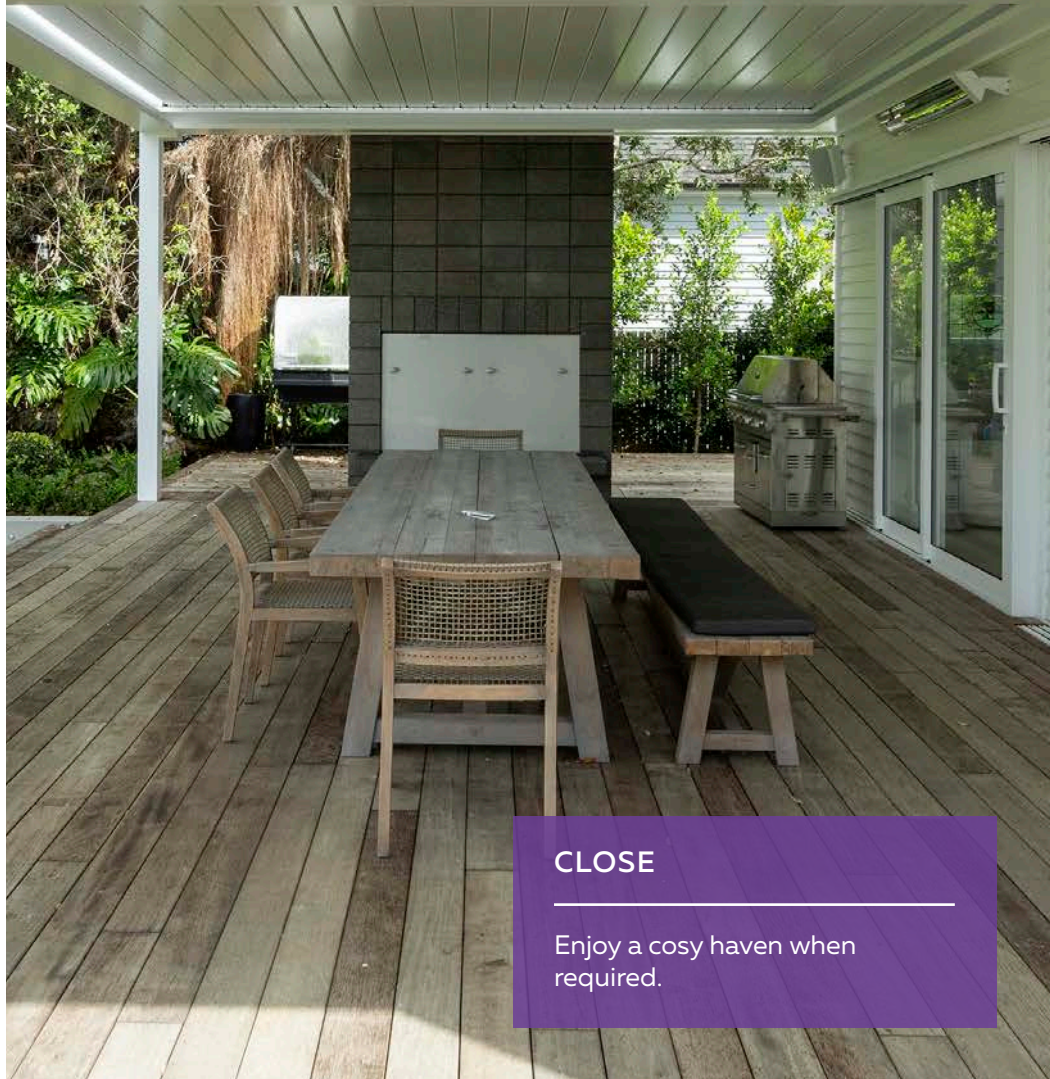
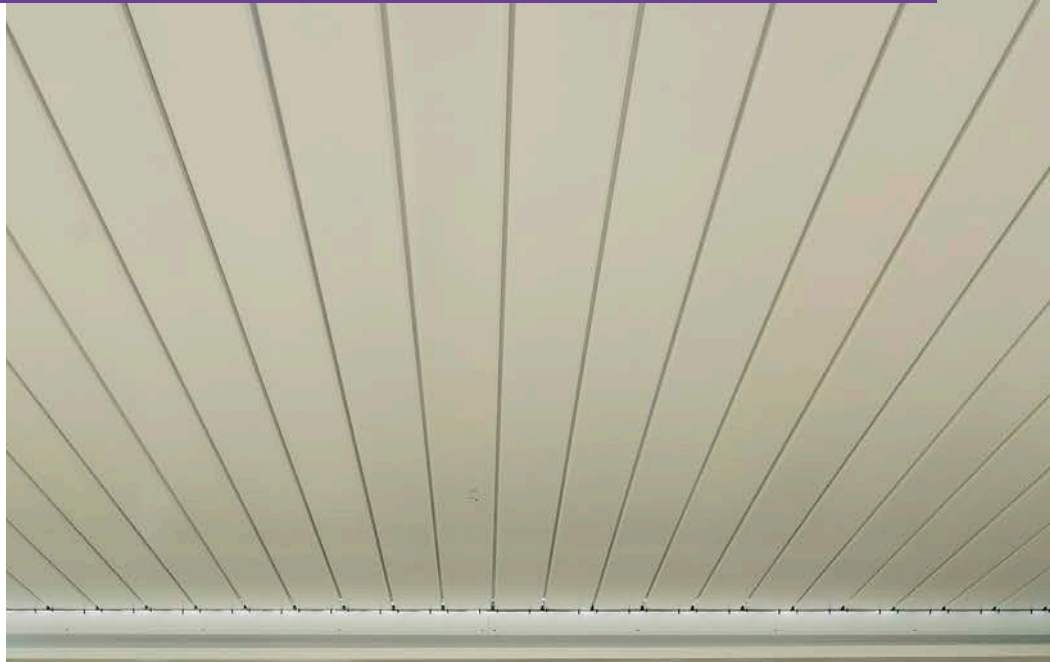
RETRACT ROOFS

OPEN | RETRACT | CLOSE | PIVOT AND REPEAT



RETRACT

Retract the louvres back to enjoy the sky above.



CLOSE

Enjoy a cosy haven when required.

220/35 SLIMLINE RETRACT ROOF

EXPERIENCE THE ULTIMATE IN SLEEK AND SMART OUTDOOR LIVING



With a blade thickness of only 35mm and a refined, tapered top the 220/35 Slimline Retractable Roof is sleek and unobtrusive.

All of the operating mechanisms and motors are housed within the side frame extrusions, keeping them hidden from view and protected from the elements.

When the Louvre blades are retracted back a neat stack is achieved.

The 220/35 Slimline Retractable blade is also compatible with our standard Spiral Pivot Opening Roof system, making it ideal for multi-roof projects where you require a range of Opening Roof styles.

Experience the ultimate outdoor living with Louvretec Retractable Roofs.

All Louvretec products are fully engineered and warranted.

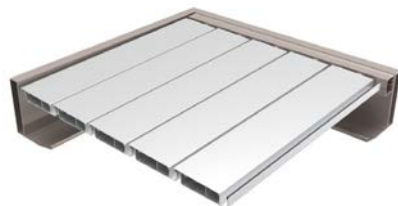


CLEAN, SLEEK LINES

When the blades are retracted back a neat and tight stack is achieved.



220/35 SLIMLINE RETRACT ROOF
BLADES OPEN



220/35 SLIMLINE RETRACT
ROOF BLADES CLOSED

220/45 ALPINE RETRACT ROOF

ELEVATE YOUR OUTDOOR LIVING WITH OUR LARGEST RETRACT BLADE



The 220/45 Alpine Retractable Roof is the perfect solution for locations that are more exposed to the elements. With a blade thickness of 45mm, it is designed tough with Australasia's environment in mind.

The unique feature of the 220/45 Alpine Roof is that it has been designed to comfortably span up to 5m, making it the class-leader in its field.

The side frame extrusions cleverly conceal all of the operating mechanisms and motors, protecting them from the weather and keeping them out of sight.

This blade also features our unique cushion-closing bulb system for quietness plus it provides an additional overlap cover when closed. Designed to look elegant in any position, including pivoting up to 135 degrees or retracted back & stacked at 90 degrees.

Elevate your outdoor living experience with the 220/45 Alpine Retractable Roof and discover the true meaning of indoor/outdoor living. Gaze up at the open sky at night, and when you're ready, close the Louvres to create a cosy Outdoor Room and with the ability to adjust the louvres to your desired position, you have complete control over your outdoor environment.

Fully engineered and warranted, you can be confident in the quality and reliability of our Retractable Roof system.

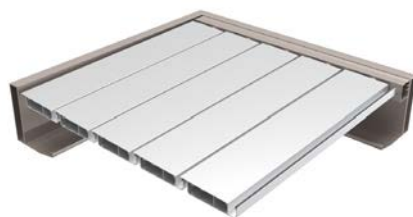


FOR RUGGED LANDSCAPES

Designed for exposed locations, the Retract Roof is tough, resilient, and built to withstand the challenges of coastal environments.



220/45 ALPINE RETRACT ROOF
BLADES OPEN

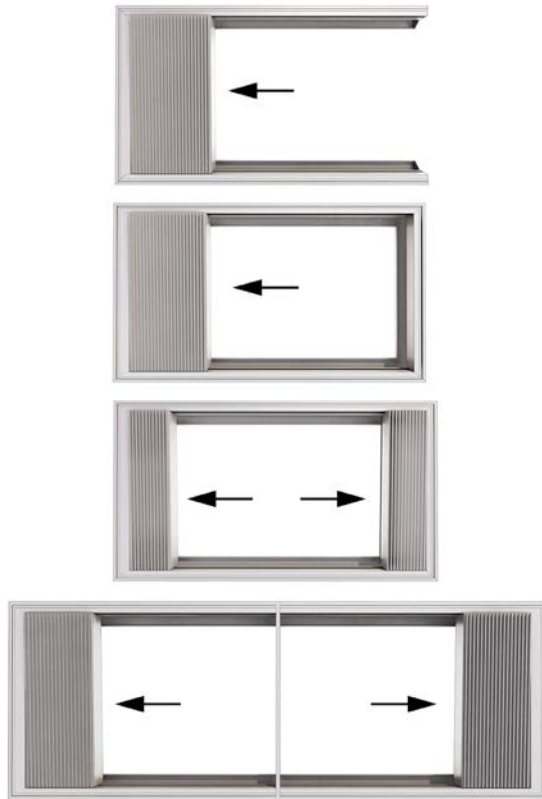


220/45 ALPINE RETRACT ROOF
BLADES CLOSED

CONFIGURATION OPTIONS RETRACT ROOFS

RETRACTING CONFIGURATION OPTIONS

There are four options for configuring the movement of the Louvre blades when retracting.



OPTION 1

Three Sided Frame - Blades stack to rear

- No front beam, blades stack to rear
- Can be even or uneven number of blades

OPTION 2

Four Sided Frame - Blades stack to one end

- Blades can stack to either one end
- Can be even or uneven number of blades

OPTION 3

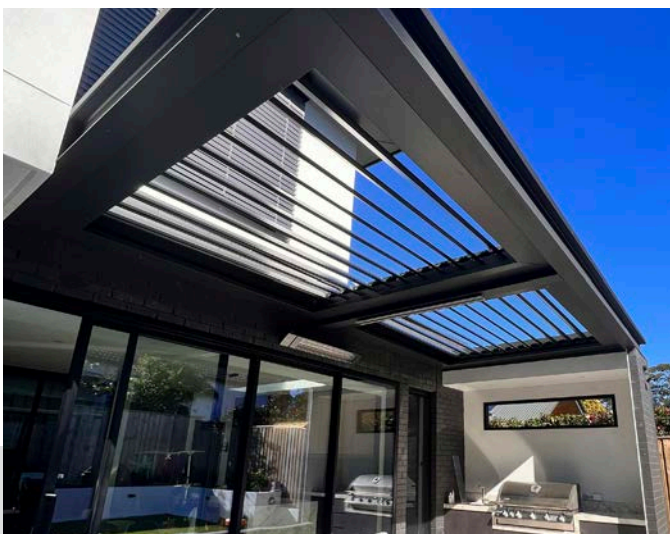
Four Sided Frame - Blades stack at each end

- Blades split stack from centre to each end
- Must be even number of blades

OPTION 4

Four Sided Frame - Double retract with mid-beam

- Two Retracts meeting at mid-beam
- No mid-beam gutter required, blades close onto mid-beam flashing
- Blades stack from centre to each end
- Can be even or uneven number of blades
- Maximum lengths of nearly 14m can be achieved



ADJUSTABLE BLADES WHEN OVERHEAD

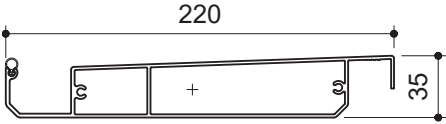




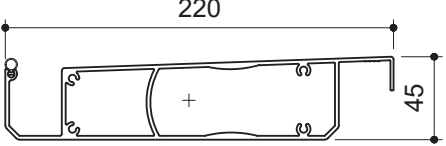




Louvretec Retracts can be adjusted to your desired position when overhead.

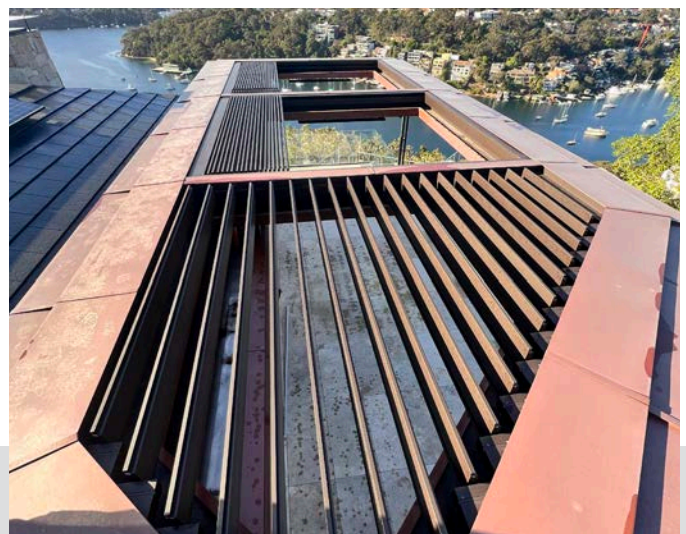
RANGE AND SPANS RETRACT ROOFS

AT A GLANCE

THE LOUVRETEC RANGE OF RETRACT ROOFS

Somfy powered new "Slimline" Retractable Roofs and Spiral Pivot Compatible Roofs

TYPE/COLLECTION	LOUVRE BLADE STYLE	DRIVE SYSTEM	MAXIMUM SPANS (3m Roof height)
SLIMLINE RETRACT ROOFS	 <p>220/35 SLIMLINE RETRACT ROOF (ALSO SPIRAL PIVOT COMPATIBLE)</p>	 3500MM  4300MM	 EX HIGH  LOW
	 <p>220/45 ALPINE RETRACT ROOF (ALSO SPIRAL PIVOT COMPATIBLE)</p>	 5000MM  5000MM	 EX HIGH  LOW



MADE WITH ALPINE AND COASTAL LIVING IN MIND

Louvretec Retracts are constructed using premium aluminium and are fully engineered.

NEW ZEALAND

EMAIL info@louvretec.co.nz

VISIT www.louvretec.co.nz

AUSTRALIA

EMAIL info@louvretec.com.au

VISIT www.louvretec.com.au

FOR MORE INFORMATION VISIT

www.louvretec.com



The logo for LouvreTec, featuring a green triangle above the word "LouvreTec" in a bold, sans-serif font, followed by a registered trademark symbol (®).

OPENING & RETRACT ROOFS / SUN LOUVRES / SHUTTERS