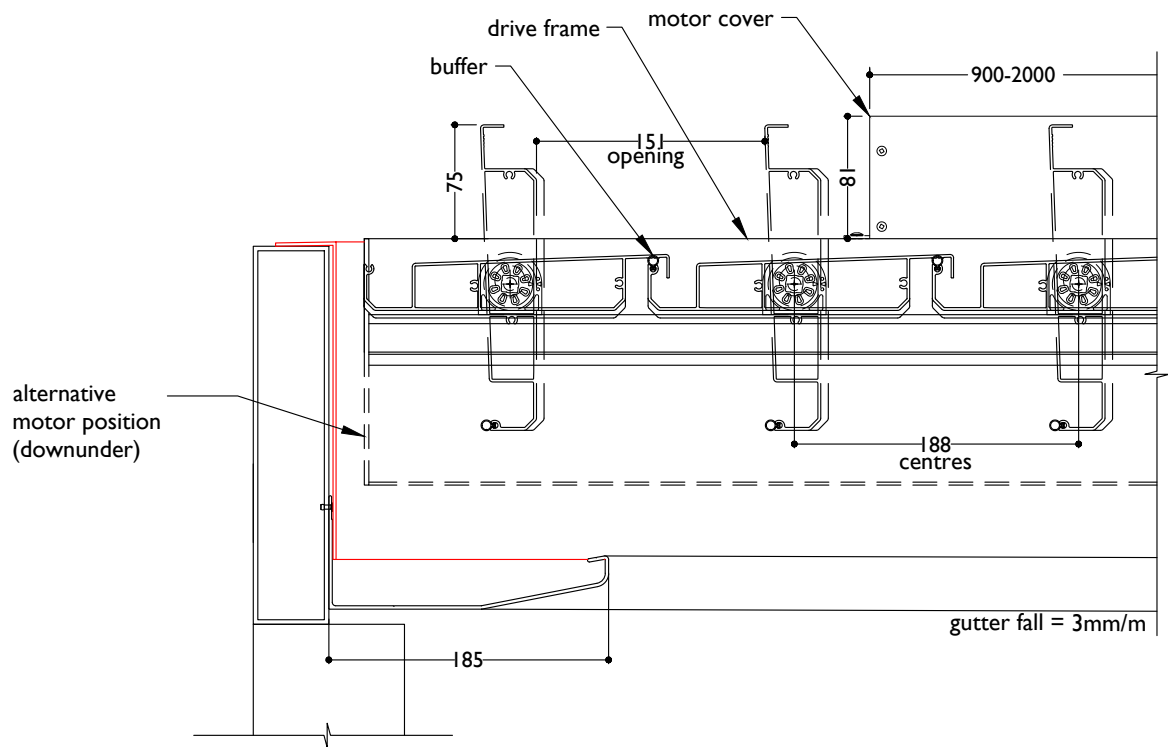


SECTION THROUGH SPAN



SECTION THROUGH LOUVRES