

# GAZEBO

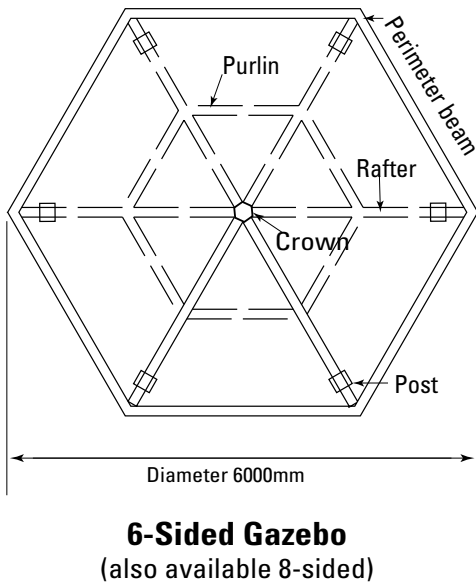
CONSTRUCTION GUIDE

LYSAGHT  
Living



Colorbond®

# PLANS & COMPONENTS



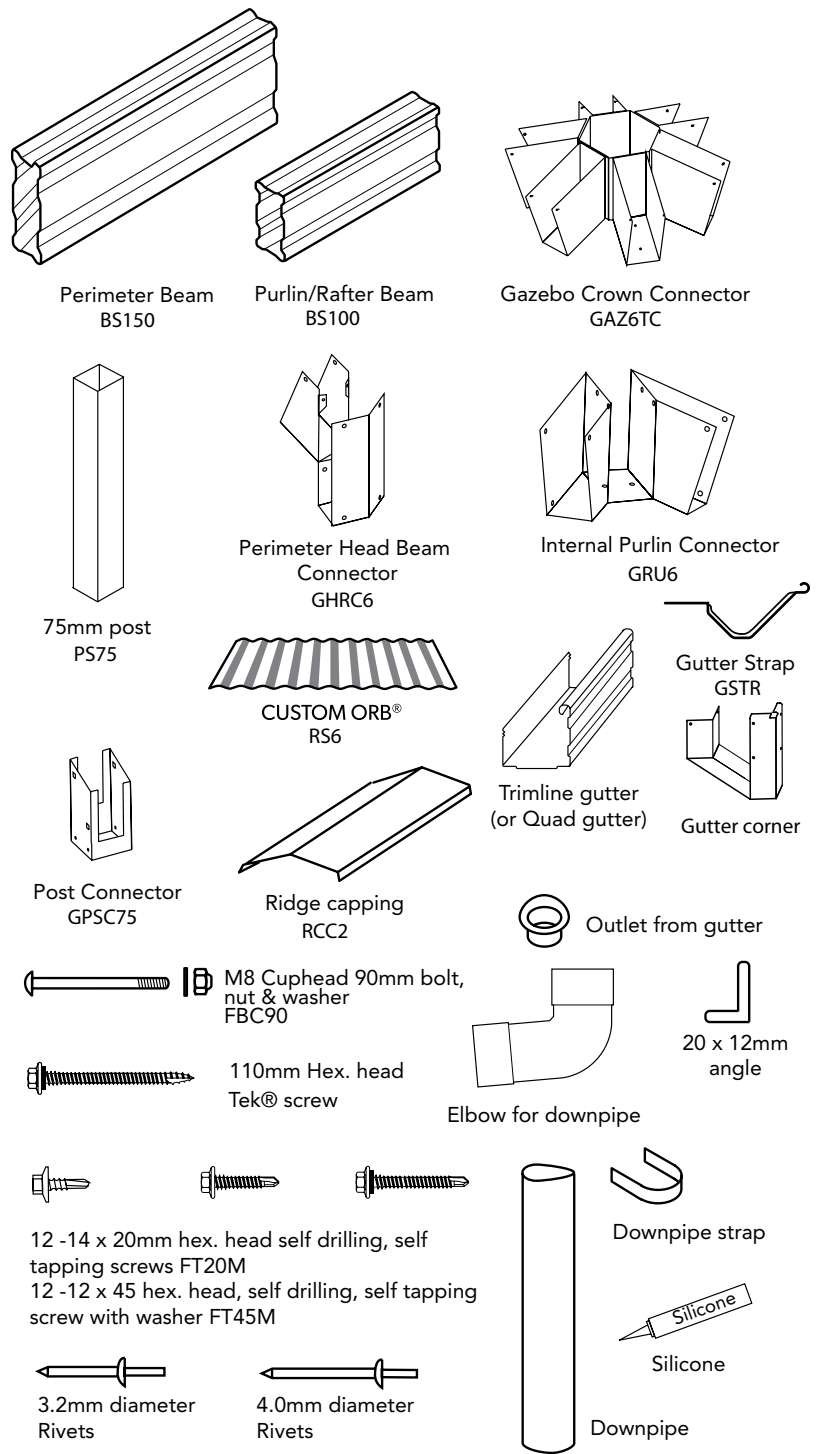
**Figure 1**

6-sided Gazebo layout - Plan View

Dotted lines show beams and rafters of structure, squares show location of posts.

This Construction Guide uses a 6-sided gazebo as an example. The 8 sided gazebo is built exactly the same way except that the dimensions and come of the connectors are different.

The posts, beams and purlins are connected in similar fashion except there are 8 rafters instead of 6 rafters.



Optional Accessories components listed at back of manual.

**Figure 2**

Components List

## AT THE START

### Before You Start

It helps to have an overview of the job before you start the work, so please take the time to read these instructions first.

### Council Approval

Council approval may be required prior to construction. A council application pack is available for purchase. Read the pack and discuss it with Council.

The council application pack is based on our engineering of the gazebo. It is important that you use only the parts supplied in your kit, and that you closely follow our installation instructions.

### Mark Out and Pour the Footings

The footings are an integral part of the engineering of your gazebo. It is important that you follow the details of the footings included in these installation instructions.

### Some Points Are:

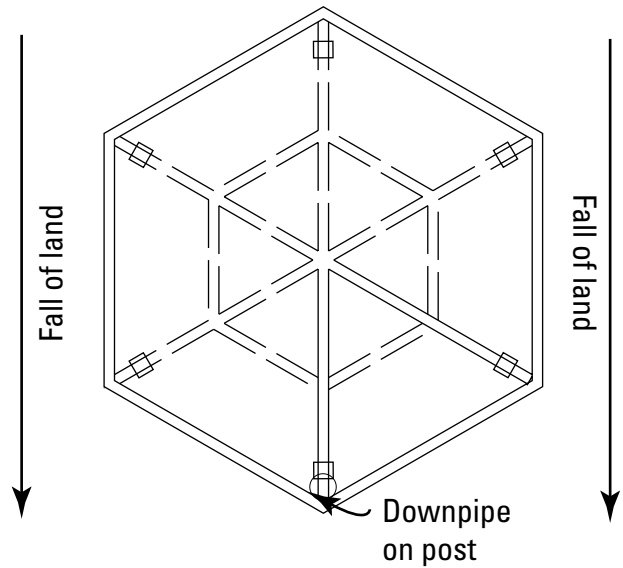
- For practical purposes, the downpipe should be located at the lowest point of the land so water runs off away from the gazebo. (Figure 3)
- The footings must be no smaller than specified in the drawing.

### Identify Your Kit Parts

Carefully open the kit and identify the various parts. The table of components on Page 2 will help.

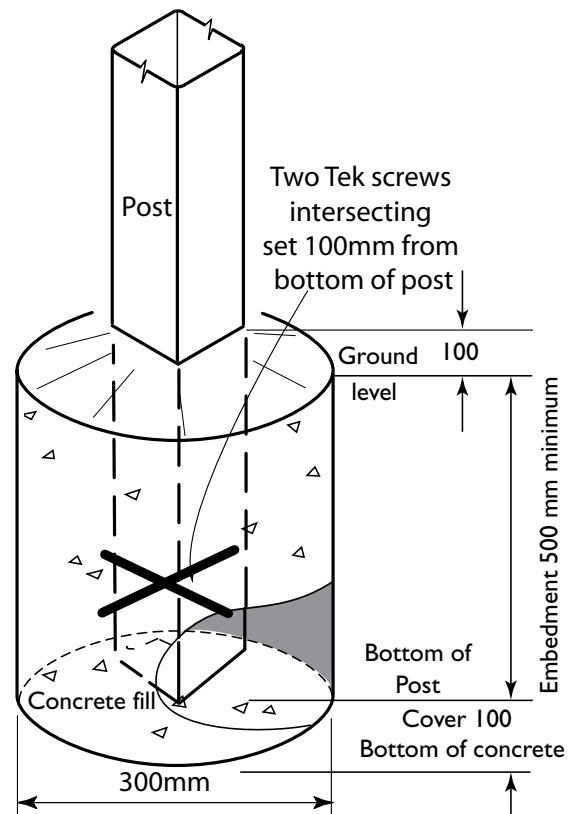
## A FEW TIPS

- Leave plastic coating on beams until just prior to fixing. This protects the beams from scratching.
- Double check all measurements and drilling locations before proceeding.
- Regularly check the framework for plumb and alignment to ensure the structure goes up straight.
- Work safely.



**Figure 3**

Position of downpipe



**Figure 4**

Footing detail

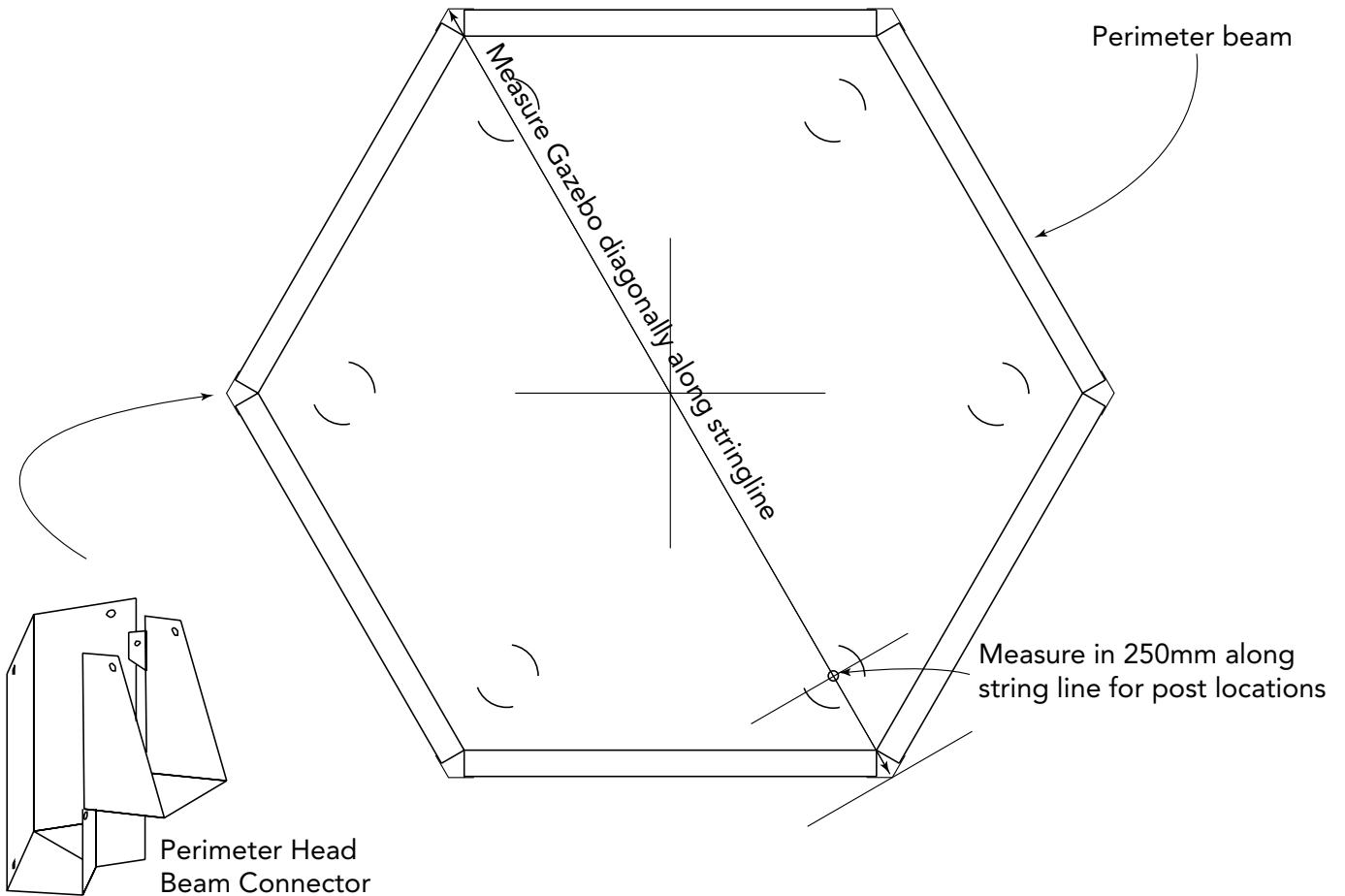
# INSTALLATION

## Step 1 Setting Out

- a) Take plastic off the beams as you require them - only peel the plastic off the ends of each beam at this stage.
- b) Place perimeter beams into shape of gazebo using perimeter head beam connectors.

(Figure 5)

- c) Measure diagonals and square up perimeter frame so that all measures are the same. A couple of temporary metal screws will hold the gazebo shape in position. (This will be your temporary template, the 12-16x20 screws will be reused as you assemble the gazebo).
- d) Run a string line diagonally across to opposite corner and measure inwards from external edge of perimeter connectors (Figure 5), 250mm along string line. This will give you the centre of your post hole. (Repeat this process to the remaining post locations).
- e) Perimeter beams can now be dismantled and put aside, to proceed with the next step.

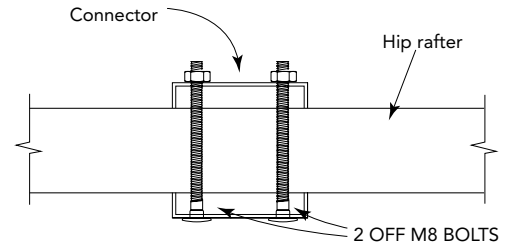


**Figure 5**

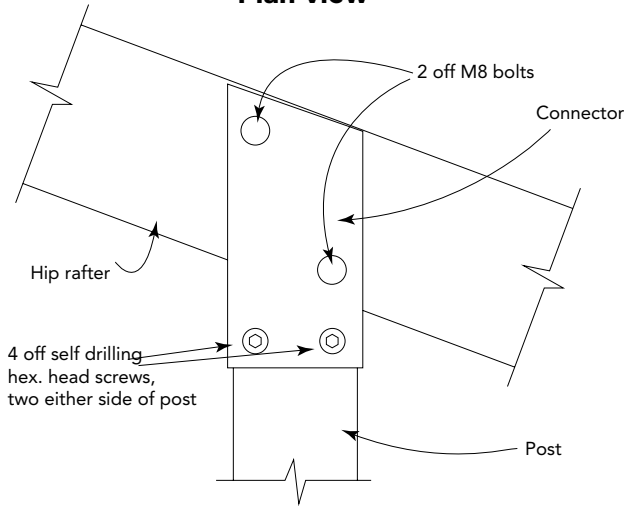
Measure to locate gazebo beams and find position for post footings.

**Step 2 Post/Rafter Assembly**

- a) Dig a 300mm diameter hole for your posts, with a minimum depth of 600mm.
- b) Using Table 1 as a guide, connect a perimeter head beam connector to end of each rafter (Figure 7) using 12-16x20 self drilling, Hex. head screws to fix connector to rafter end.
- c) Connect post connector (Figure 6) to rafter measuring 215mm in from outside edge of perimeter head beam connector to outside edge of post.
- Fixings: Use 2 x M8 bolts to connect post connector to rafter.
- d) Repeat the above fixing method to the remaining rafters.
- e) Fix all the posts (Figure 6) into the post connectors, making sure that the posts are square to the post connectors.
- Fixings: Use 4 off 12-16x20mm self drilling, Hex. head screws per post to connect connector to post.



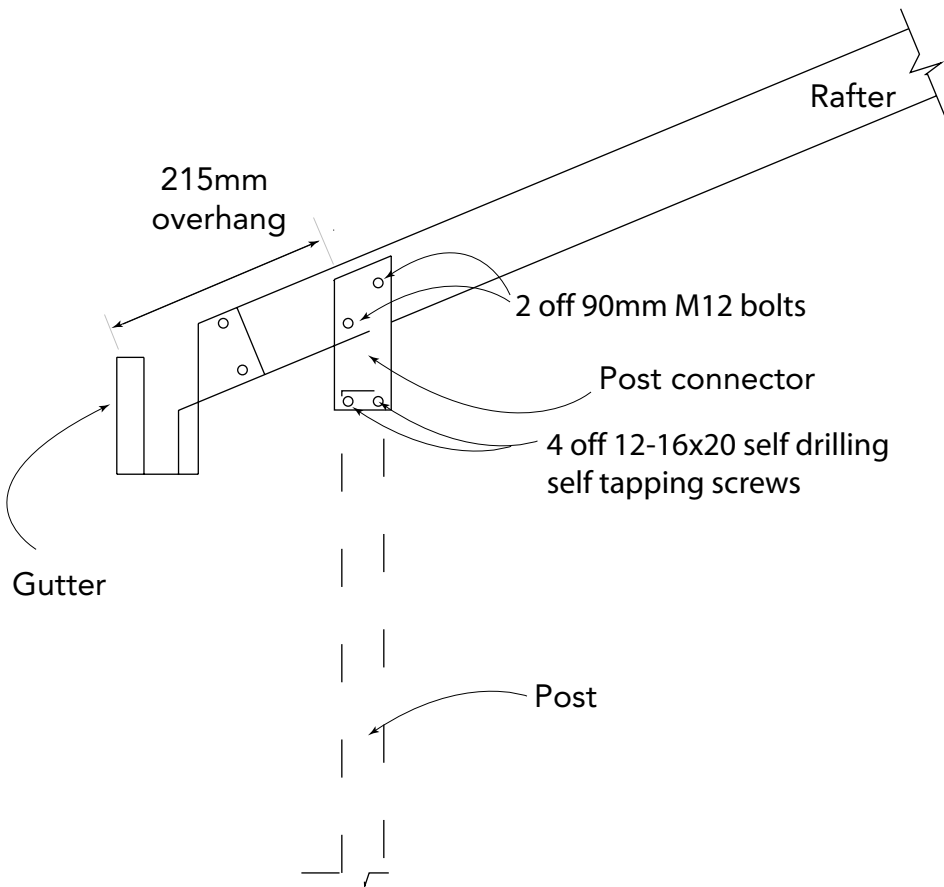
**Plan view**



**Side view**

**Table 1 Rafter Size**

Gazebo Length(mm)	Size
4m	1965 BS100
5m	2496 BS100
6m	3027 BS100



**Figure 6**

Assembling post to beam.

**Step 3 Starting Post**

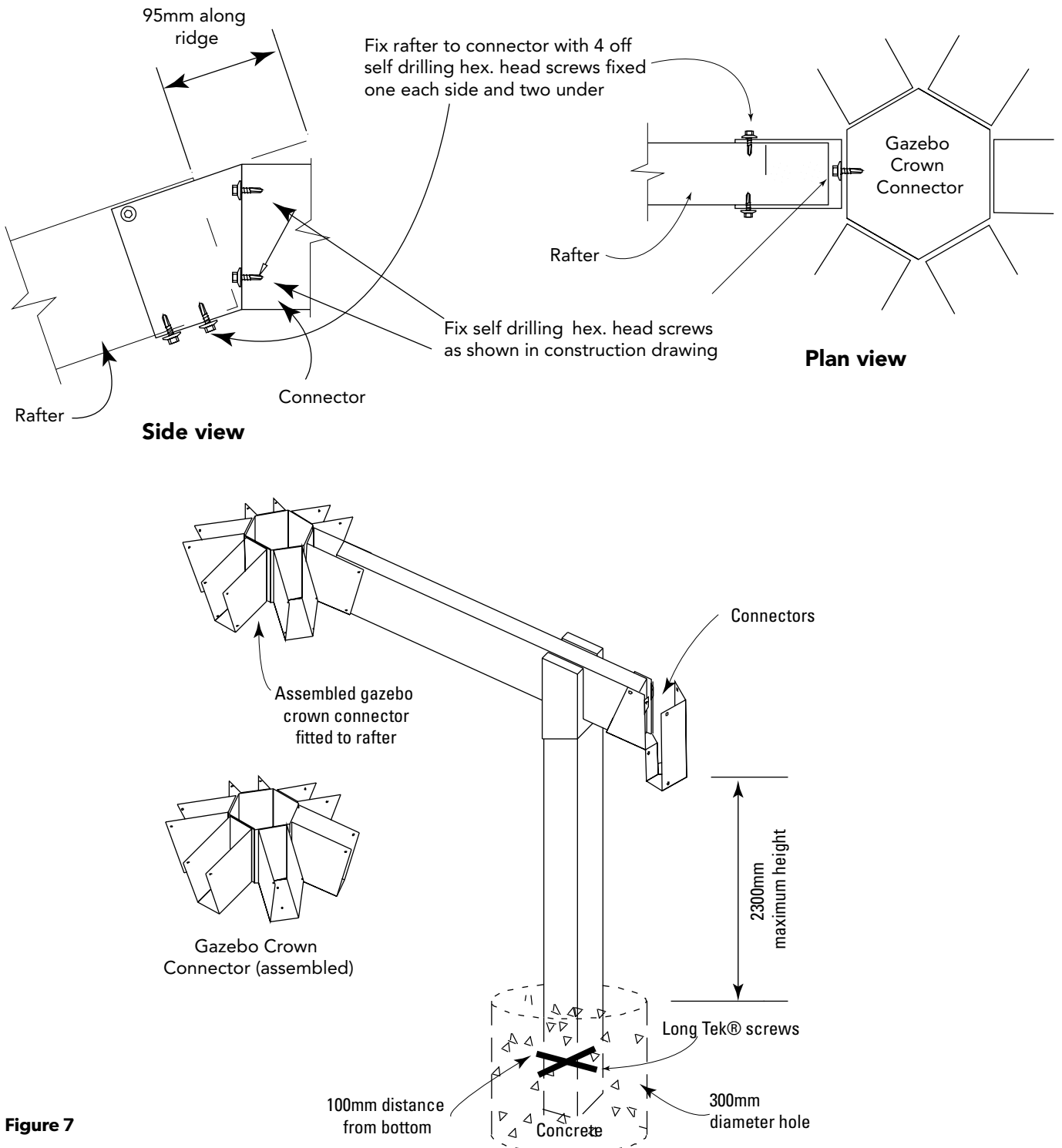
a) Assemble the gazebo Crown connector. Fix the assembled Crown connector to one of the rafters (Figure 7). This will be your starting post rafter.

Fix in accordance with the detailed drawings.

b) Cut the bottom end of the starting post to suit your desired height requirement. Cut post to ensure that you do not exceed more than 2300mm from the ground level to the underside of perimeter beam. Fit long screws to the bottom of the post 100mm up from the bottom as shown in the detailed drawings (Figure 7).

c) Stand your first starting post into hole and prop rafter near crown to support frame, keeping the post square to the opposite diagonal post hole. Once you are satisfied that the post is plumb and square, and at the correct height and held into position, you can now insert the quick set concrete, checking that your post is still plumb and square to the opposite diagonal hole.

d) Allow 15 minutes or as specified by the manufacturers recommendations, for the quick set concrete to set. By this time, your first starting post will be securely fixed into position.



**Figure 7**  
Starting post.

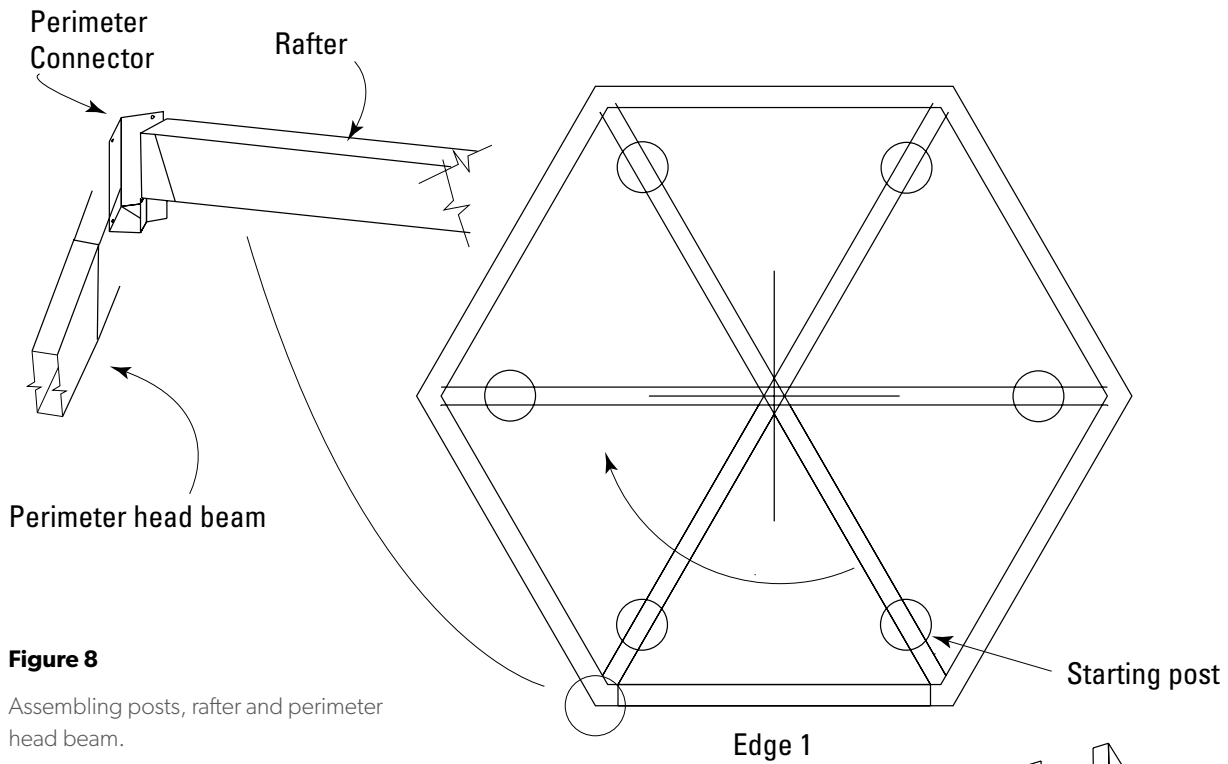
#### Step 4 Assembling Posts and Perimeter Beams

a) Working clockwise, position your next post into your post hole and rafter into gazebo Crown connector. Use a perimeter head beam (Figure 8) to give you the spacings between the next post, as well as being able to use the perimeter head beam to check level.

b) Once you are satisfied that the post is plumb, you can now fix it to the Crown connector (Figure 7) with 4 off Hex. head screws.

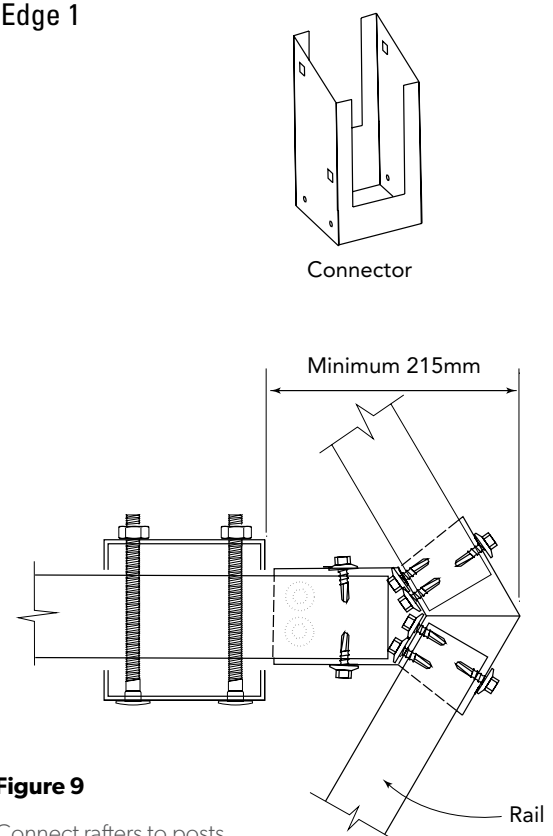
c) Once all the posts are in the footings and the posts are all level and plumb brace the frame and then pour the concrete mix. Quick set concrete can be used.

d) Leave concrete to set overnight.



**Figure 8**

Assembling posts, rafter and perimeter head beam.



**Figure 9**

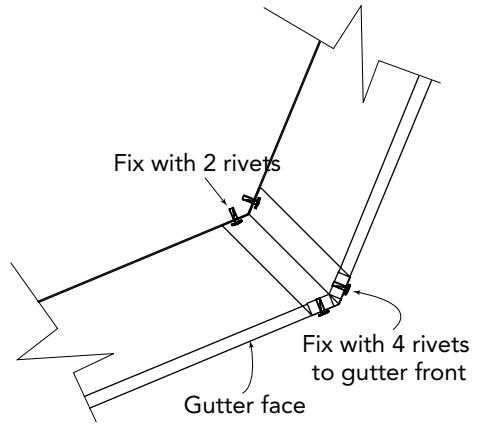
Connect rafters to posts.

**Step 5 Purlin & Gutter Assembly**

- a) Position purlins between rafters (Figure 12). Mark the locations of purlin connector by measuring cut purlins plus 10mm for clearance between the rafters. (Figure 11) Fix off with three self drilling, Hex. head screws through each connector into the rafter.
- b) You can now position your purlins (Figure 12) into the purlin connectors, and fix them with 3 off self drilling, Hex. head screws to each connector. Repeat this process to the remaining purlins.
- c) Fix external gutter corners to perimeter beams with a slight fall towards your designated downpipe location. (Figure 10)
- d) Fix 4 rivets to each external gutter corner. (Figure 10)

Fit gutter into external gutter corner (Figure 10) with 4 rivets. Once all are in position, seal the inside of the corners with silicone.

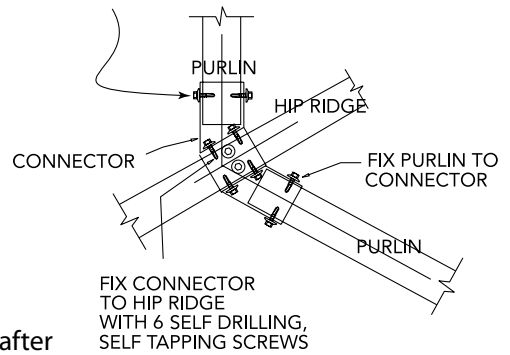
- e) Fit gutter straps. (Figure 13) Gazebo sizes can vary. With gazebo, fit strap at mid points; 5m and 6m gazebo, fit straps at thirds.



**Figure 10**

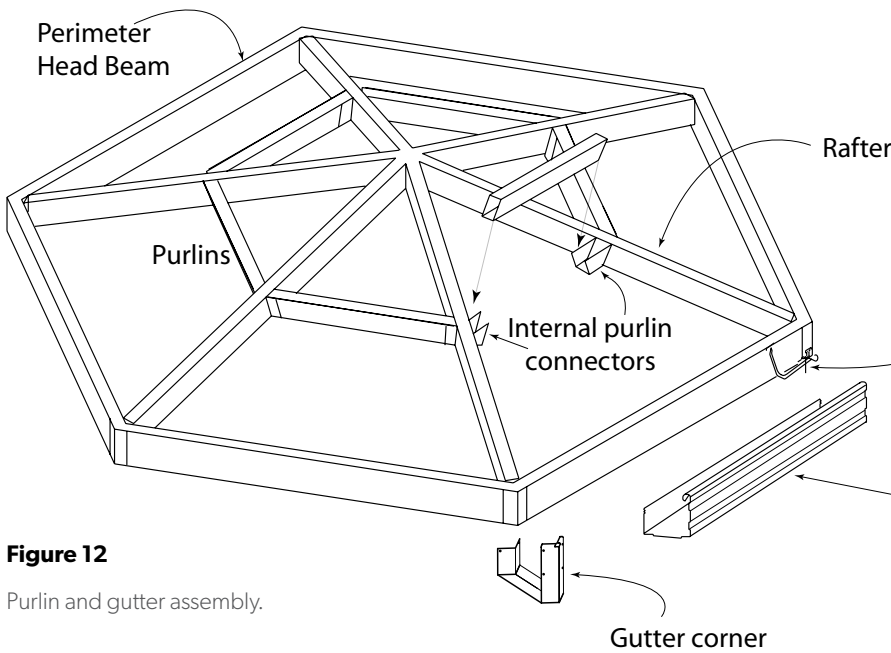
Connecting gutters at angled corners.

FIX PURLIN TO CONNECTOR WITH 3 SELF DRILLING, SELF TAPPING SCREWS



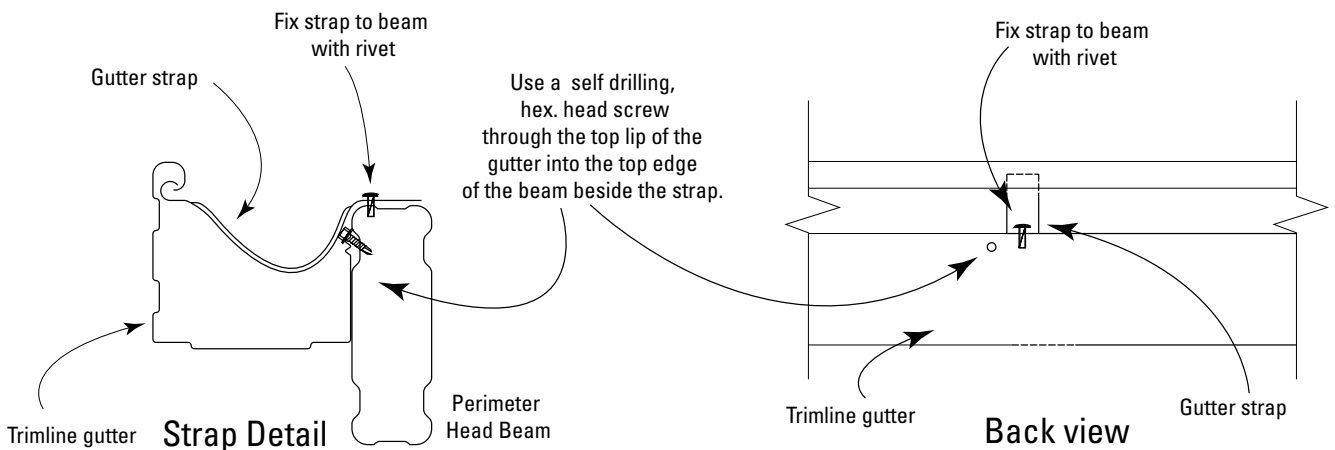
**Figure 11**

Fix purlin to connector.



**Figure 12**

Purlin and gutter assembly.



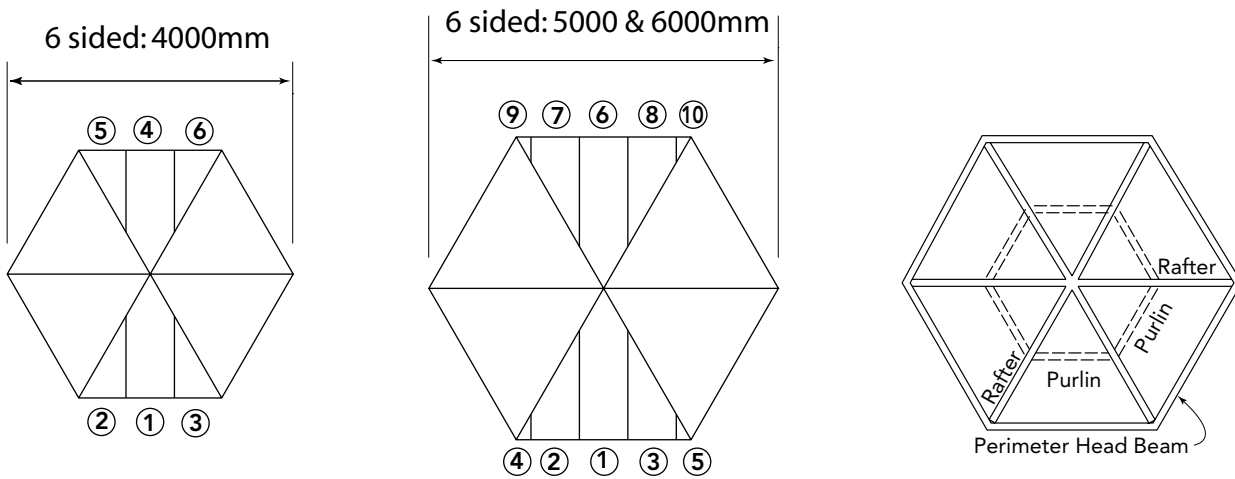
**Figure 13**

Fix strap to beam.

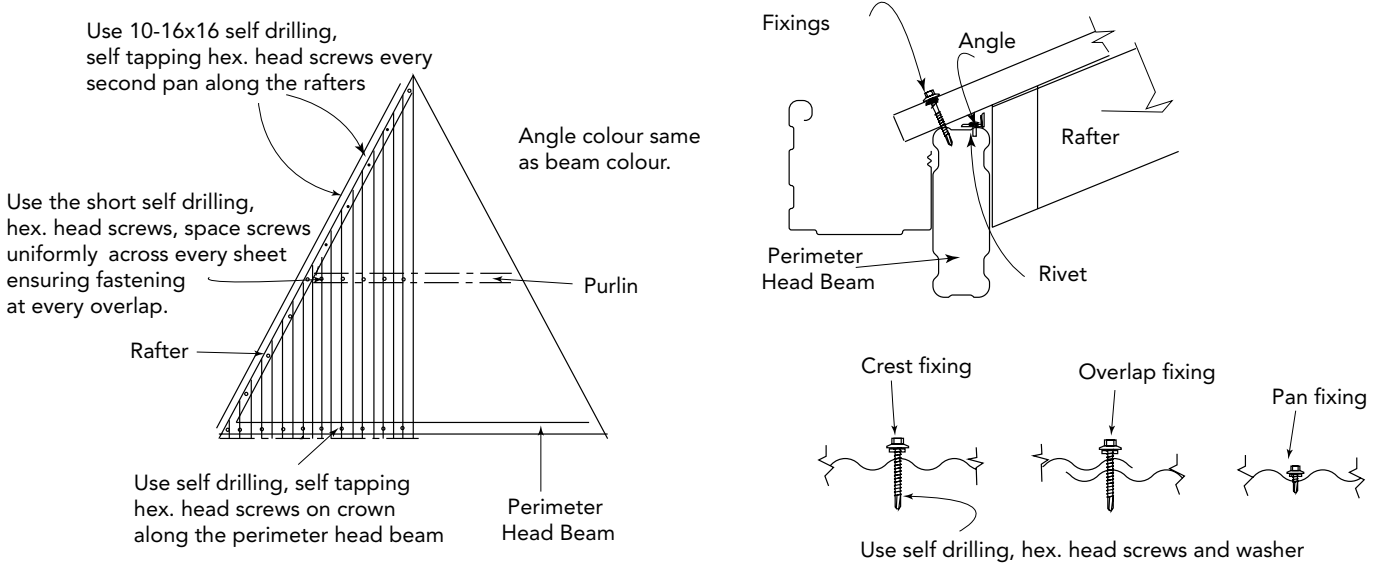


### Step 6 Laying out Roof Sheets

- a) Fix the small aluminium angle along all perimeter head beams. Rivet at 1200mm centres.
  - b) Locate your roof sheet layout according to your particular size Gazebo.
  - c) Position sheet 1 at centre of segment, then position other sheets in number order. Repeat for opposite segment, then repeat for other segment pairs.
- If using COLORBOND® steel hi-gloss finish, ensure sheet is 'glossy side' down. If using standard COLORBOND® steel sheets, ensure matt grey side is down.
- d) Note: Roof sheet must overhang minimum of 30mm into gutter.
  - e) Use 3 long self drilling, Hex. head screws per sheet for purlin (1 at lap) and 5 off long self drilling, Hex. head screws (Figure 15) per sheet for perimeter head beam and using the short self drilling, Hex. head screws at every second pan along the rafters.



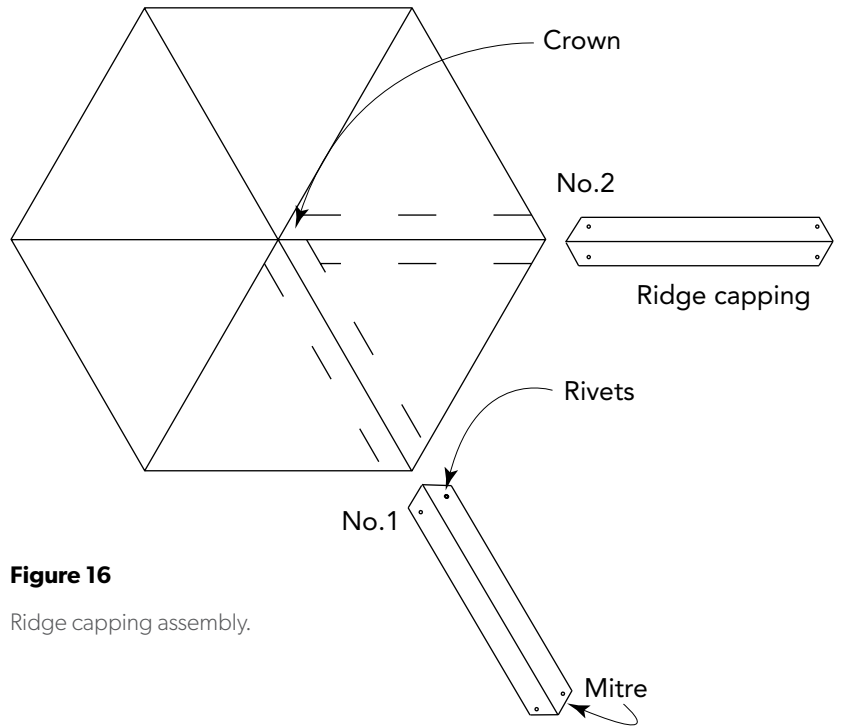
**Figure 14**  
Laying out roof sheets.



**Figure 15**  
Fixing roof sheets to supports.

### Step 7 Ridge Capping Assembly

- a) Set ridge capping on roof overlapping at apex. Silicone under ridge capping to prevent small leaks at this spot.
- b) Ridge cappings have been mitred and cut. Pop rivet each ridge capping through the top of roof sheeting, with 4 rivets (Figure 16) per each ridge capping. Use 2 rivets on each end of the ridge capping.
- c) Note: for the 6m Gazebo, 2 pop rivets are required in the middle of ridge capping.



**Figure 16**  
Ridge capping assembly.

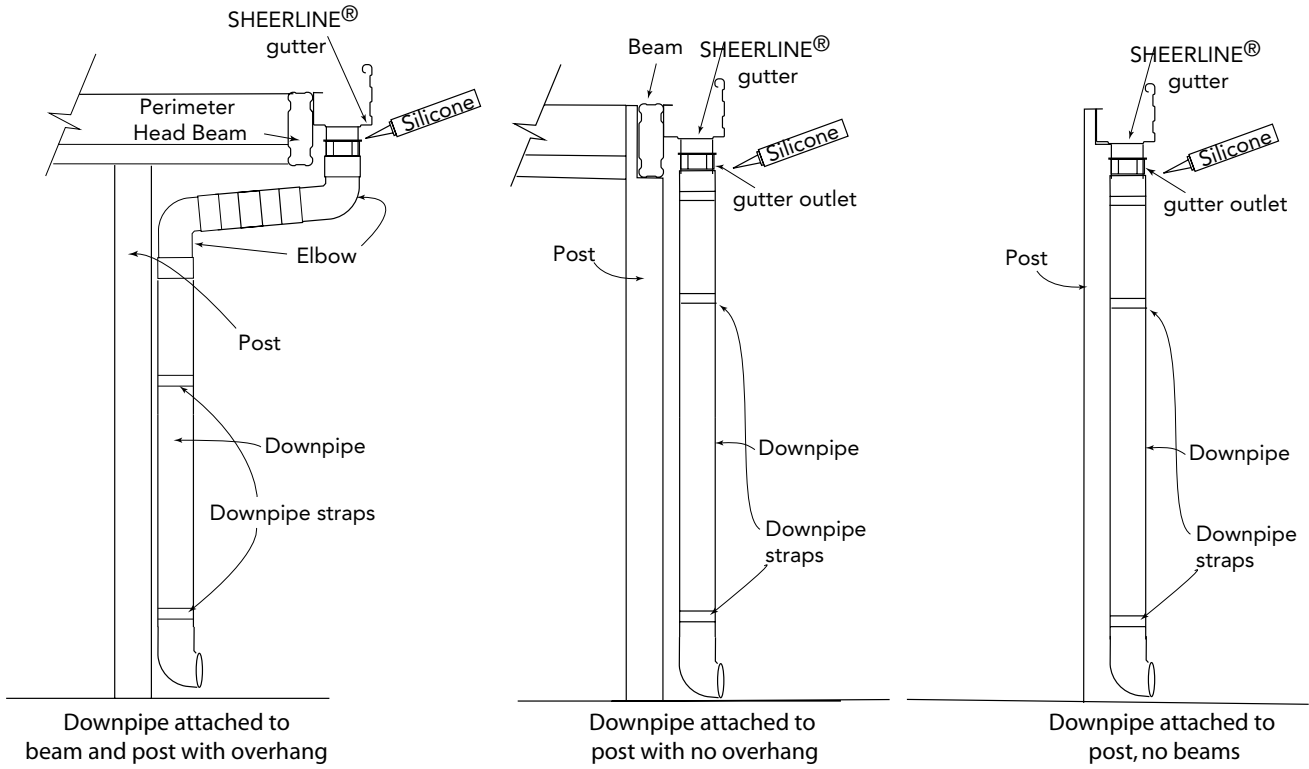
### Step 8 Downpipe Assembly

a) Mark out the centre of TRIMLINE® gutter, cut out a hole with a hole saw or tin snips. Before fixing the downpipe outlet (Figure 17) to the underside of the gutter, run a small bead of silicone around outlet and fit to the underside of gutter. Use 4 x 3.2mm rivets to fix the outlet to the gutter.

b) Assemble downpipe with elbow to suit position of outlet and posts. Do not seal until fitted correctly.

c) Fix the downpipe elbow (if required) to the outlet, with 2 x 3.2mm rivets. Repeat this process to the remaining elbow, if offset is required.

d) Fit downpipe to bend with silicone. Fit two straps to downpipe and posts with 2 x 3.2mm rivets.



**Figure 17**

Downpipe assembly.

## PRODUCT DESCRIPTIONS

All descriptions, specifications, illustrations, drawings, data, dimensions and weights contained in this catalogue, all technical literature and websites containing information from Lysaght are approximations only. They are intended by Lysaght to be a general description for information and identification purposes and do not create a sale by description. Lysaght reserves the right at any time to: (a) supply Goods with such minor modifications from its drawings and specifications as it sees fit; and (b) alter specifications shown in its promotional literature to reflect changes made after the date of such publication.

## DISCLAIMER, WARRANTIES AND LIMITATION OF LIABILITY

This publication is intended to be an aid for all trades and professionals involved with specifying and installing Lysaght products and not to be a substitute for professional judgement.

Terms and conditions of sale available at local Lysaght sales offices.

Except to the extent to which liability may not lawfully be excluded or limited, BlueScope Steel Limited will not be under or incur any liability to you for any direct or indirect loss or damage (including, without limitation, consequential loss or damage such as loss of profit or anticipated profit, loss of use, damage to goodwill and loss due to delay) however caused (including, without, limitation, breach of contract, negligence and/or breach of statute), which you may suffer or incur in connection with this publication.

**DISCUSS AVAILABILITY  
OF DESIGN OPTIONS WITH YOUR  
LYSAGHT LIVING® DEALER.**

**LYSAGHTLIVING.COM.AU  
OR CALL 1800 044 151**

LYSAGHT LIVING®, TRIMDEK®, FLATDEK®, COLORBOND® and ZINCALUME® are registered trademarks of BlueScope Steel Limited. The LYSAGHT® range of products is made by or for BlueScope Steel Limited trading as Lysaght. Tek® are registered trademarks of ITW Buildex.

© 2017 BlueScope Steel Limited ABN 16 000 011 058. All rights reserved.

