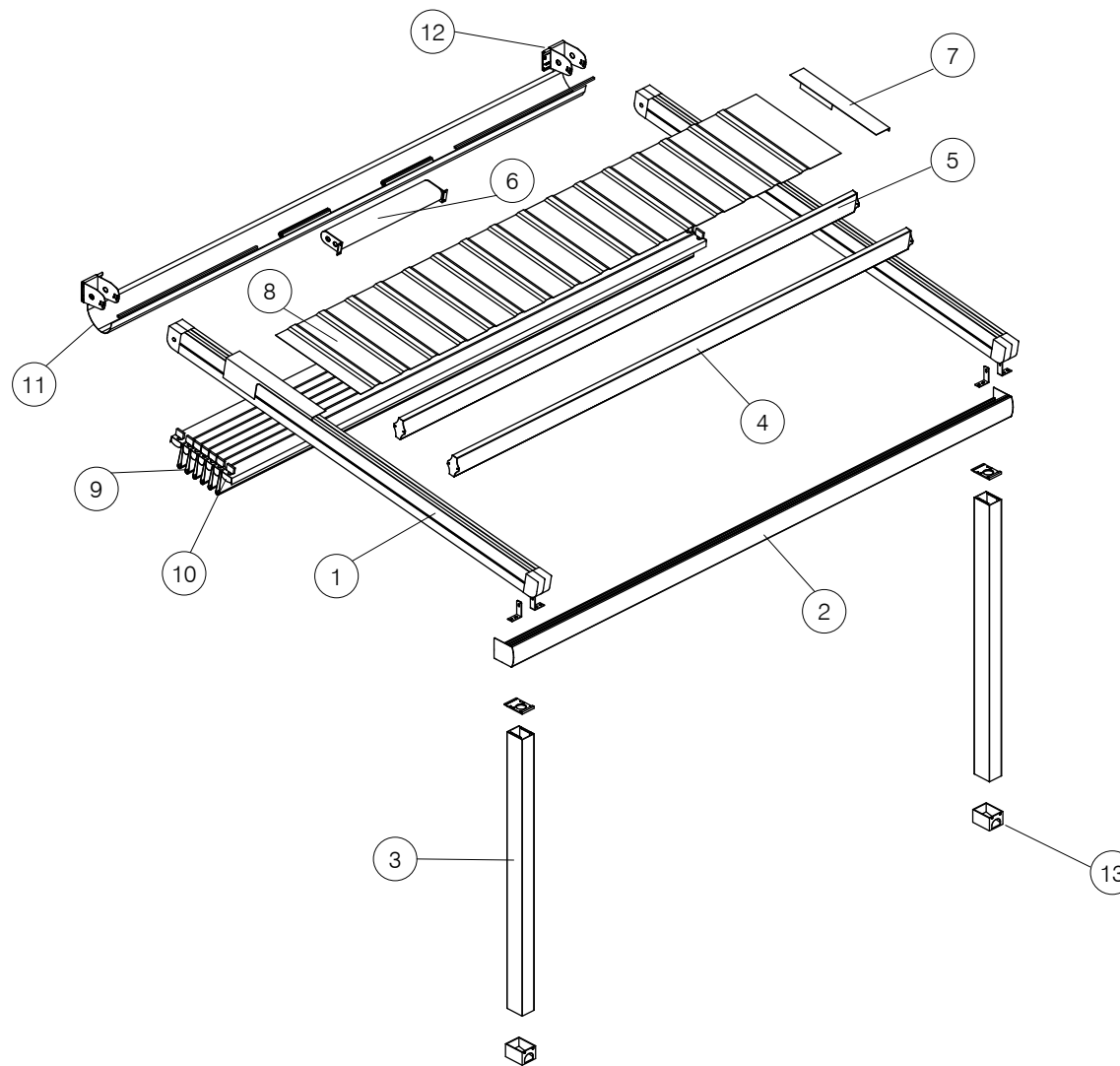




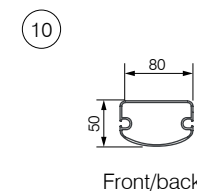
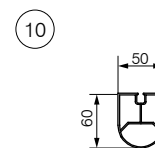
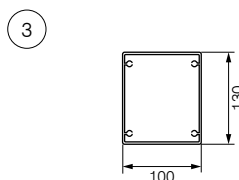
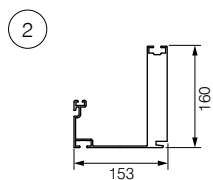
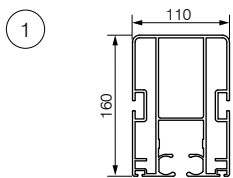
All Season Range
Smooth Series HS13
Technical Specifications

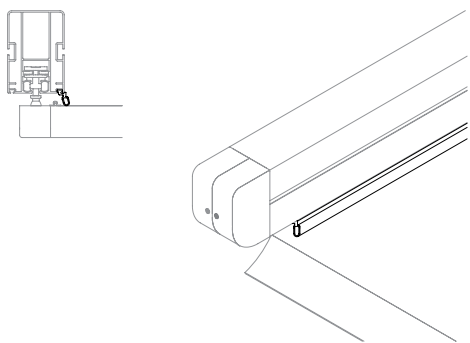


helioscreen®



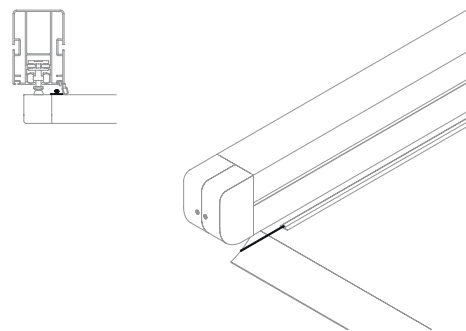
- ① Rafter profile 110x160mm
- ② Front beam / gutter 153x160mm
- ③ Post 100x130mm
- ④ Hood support
- ⑤ Motor support
- ⑥ Motor box
- ⑦ Hood end
- ⑧ Hood sheet
- ⑨ Fabric
- ⑩ Fabric profile
- ⑪ Motor flap
- ⑫ Wall bracket
- ⑬ Post base





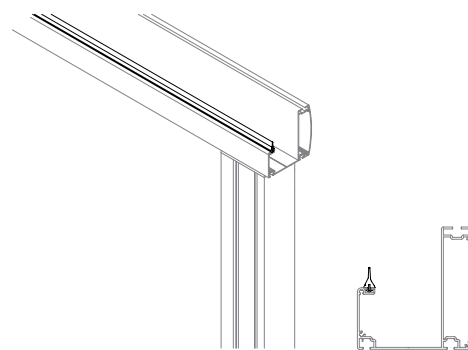
Rafter rubber seal

The rafter rubber seal is integrated into the edge of the rafter to help stop water dripping over the edge of the fabric by providing a soft barrier along the side of the system.



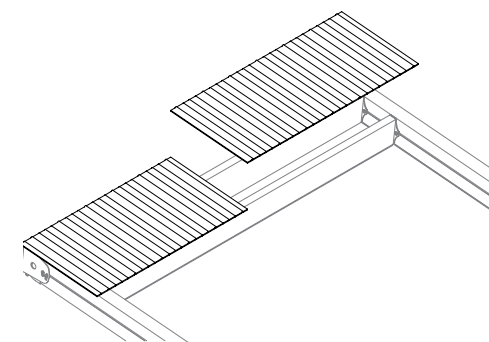
Fabric tube spline rib

The fabric tube spline rib is used in conjunction with the rafter rubber seal when systems are side by side to offer a greater protection from water dripping between systems. Fixed to the top side of the fabric the tube spline rib folds in and out with the system to create a second water barrier.



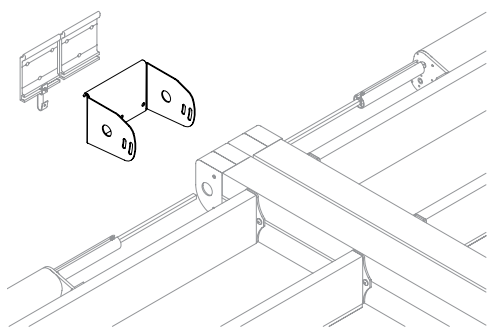
Gutter seal

The gutter seal is designed to assist the fabric to come as close as possible to the gutter profile when in the extended position. The seal helps prevent water leaks at the front of the system or water splashing from the gutter.



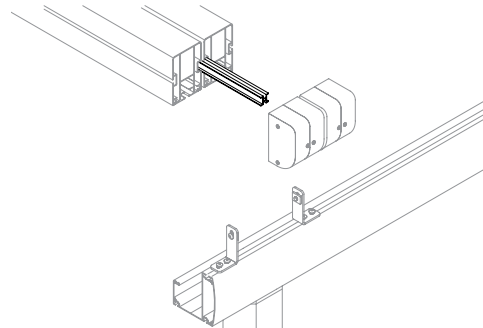
Aluminium hood sheets

The pressed aluminium sheets offer an attractive cover for when the system is retracted back and not in use. The low-profile sheet is colour matched to the system and ensures the fabric stays clean from above when not extended.



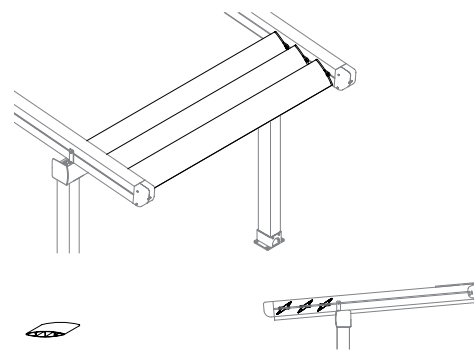
Double rafter wall bracket

Double rafter wall bracket enables two rafter profiles to be joined at the back by one bracket making installation possible with less of a gap between rafter profiles.



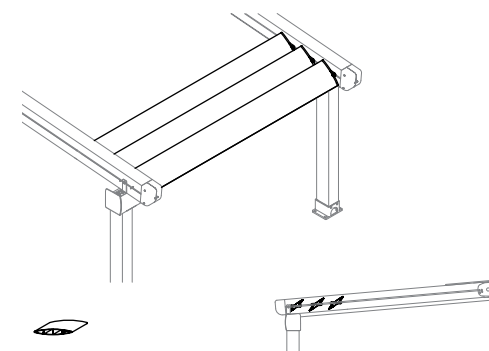
Rafter joining profile

The rafter joining profile is a patented system used when joining two rafters side by side for reduction in water leaks and reduced overall gap between systems.



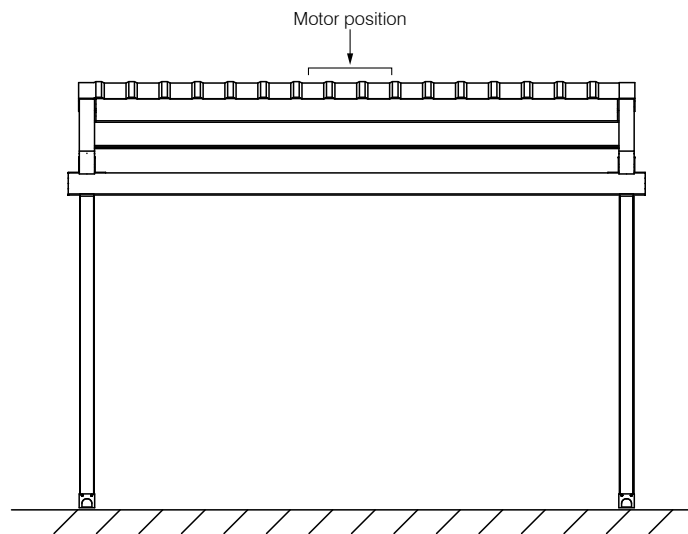
Aerofoil louvres (Extended)

Additional short length of rafter profile may be added to the order projection to incorporate aerofoil louvre fins for extra shade and an architectural edge.

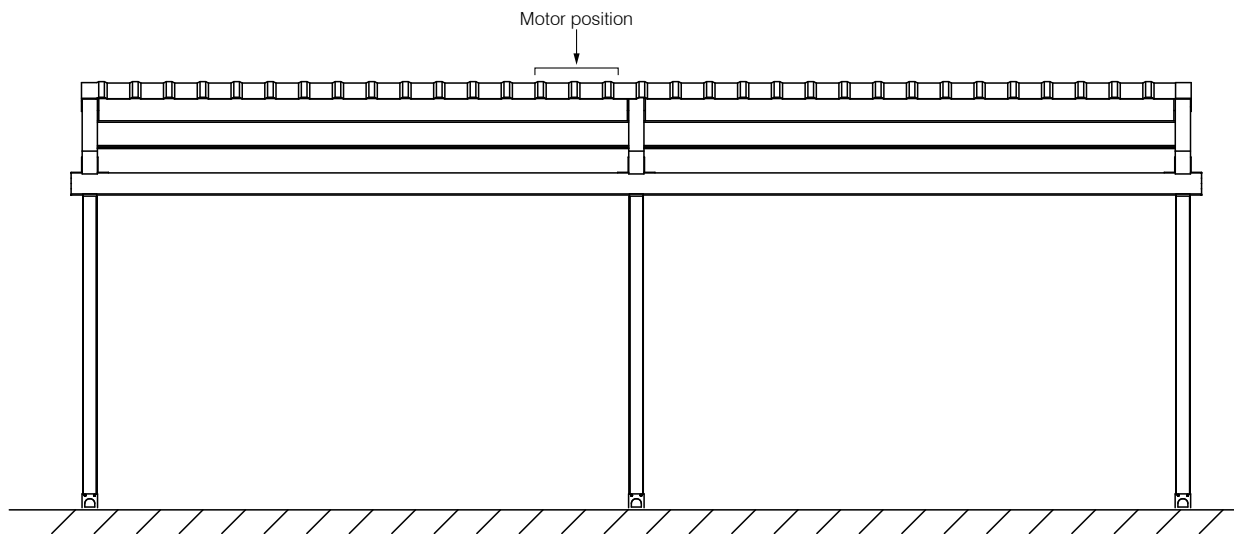


Aerofoil louvres (Internal)

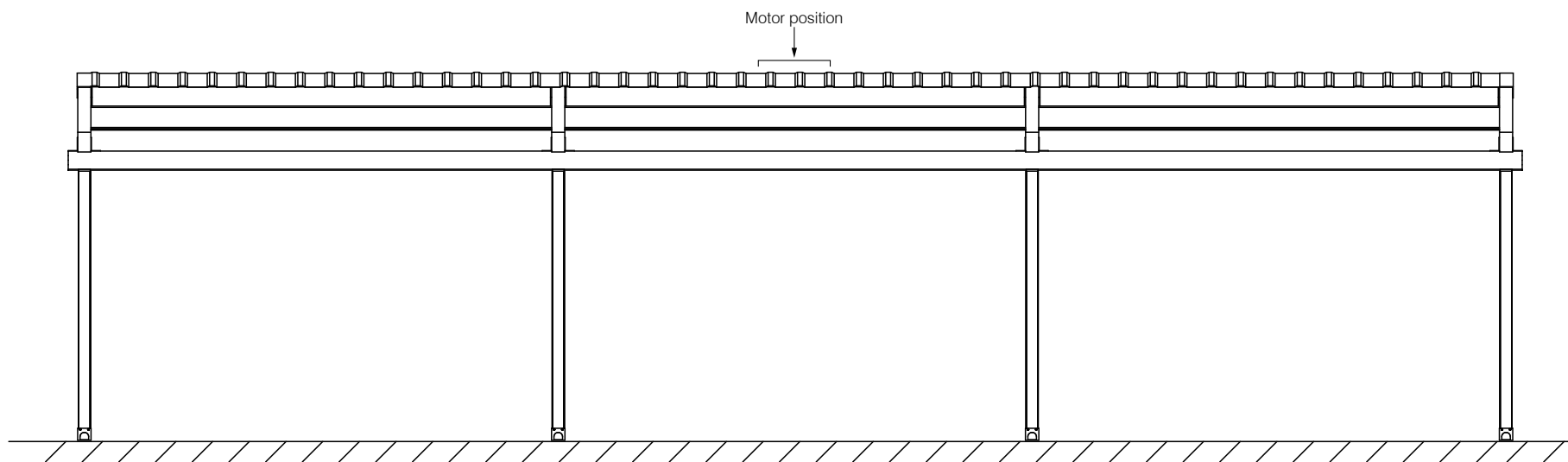
Aerofoil louvre fins for shade and design may be added within the existing projection.



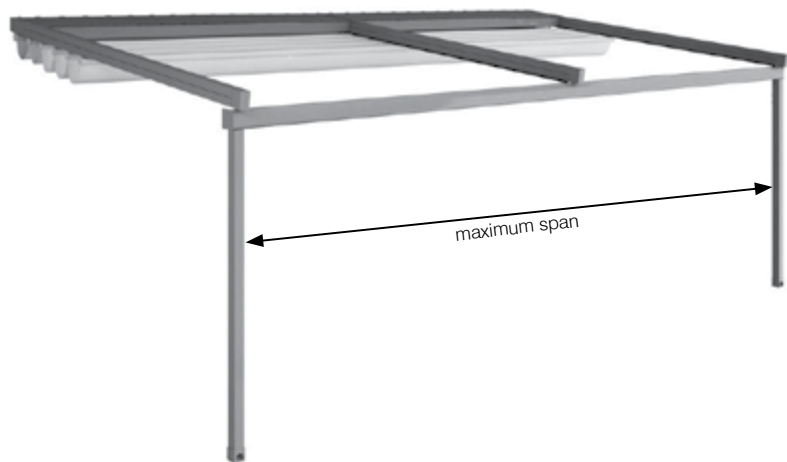
Single system – max 4.5m wide



Twin field system – max 9m wide



Triple field system – max 9m wide



FRONT BEAM SPAN WITHOUT MIDDLE POST

Projection (m)	Maximum span (m)
6.00	5.00

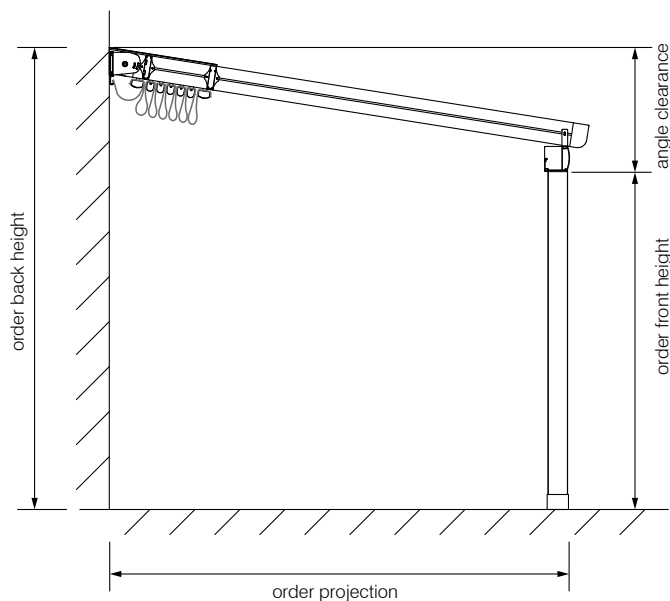


SMOOTH HS13 POST INSET

Projection (m)	Maximum inset (mm)
2.00	1000
4.00	900
6.00	800
8.00	700
10.00	600

SMOOTH HS13 MINIMUM ANGLE CHART FOR WATER RUN OFF

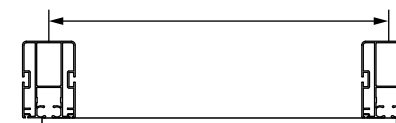
Rafter spacing (m)	Projection (m)																Angle
	2.50	3.00	3.50	4.00	4.50	5.00	5.50	6.00	6.50	7.00	7.50	8.00	8.50	9.00	9.50	10.00	
2.00	500	535	570	605	640	675	710	745	780	815							4°
											981	1021	1065	1108	1152	1195	5°
2.50	543	586	630	673	717	760	804	847	891	934							5°
											1113	1165	1218	1270	1323	1375	6°
3.00	588	640	693	745	798	850	903	955	1008	1060							6°
											1246	1309	1370	1432	1494	1555	7°
3.50	675	745	815	885	955	1025	1095	1165	1235	1305	1375	1445	1515	1585	1655	1725	8°
4.00	720	799	878	957	1036	1115	1194	1273	1352	1431	1510	1589	1668	1747	1826	1905	9°
4.50	765	853	941	1029	1117	1205	1293	1381	1469	1557	1645	1733	1821	1909	1997	2085	10°
Angle clearance (mm)																	



Minimum angle measurements

HS13 Order front height

Maximum standard post height 3.0m. Upgrade to custom steel posts for increased height available on application, subject to site specific details and installation requirements.



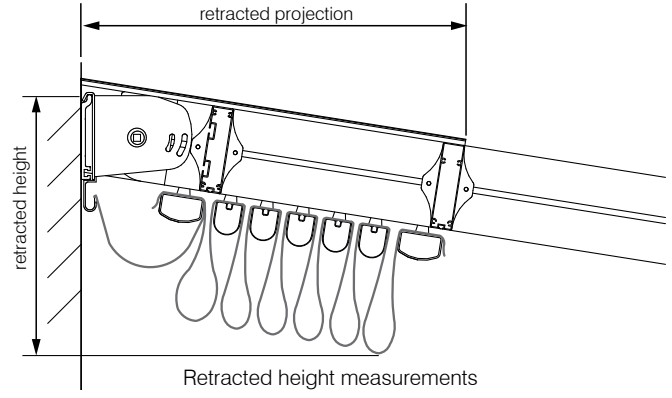
Rafter spacing

SMOOTH HS13 RETRACTED SYSTEM DIMENSIONS AT 10°

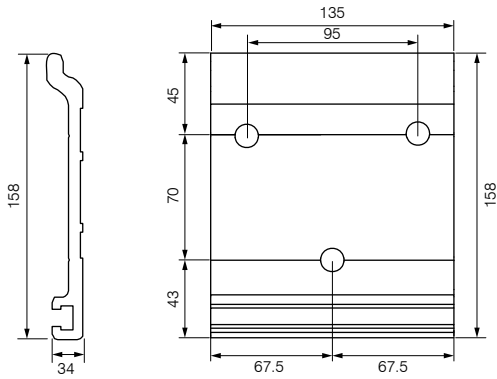
No of fabric profiles	System projection (m)																			Retracted fabric (mm)
	1.50	2.00	2.50	3.00	3.50	4.00	4.50	5.00	5.50	6.00	6.50	7.00	7.50	8.00	8.50	9.00	9.50	10.00		
4	393																			504
5	356	420																		564
6	338	390	441																	624
7		373	416	459																684
8			401	437	474															745
9				424	456	488														805
10					445	473	502													865
11						463	489													925
12							480	504												985
13								496	518											1045
14								492	511	532										1105
15									508	526	545									1165
16										523	540	557								1225
17											538	554	570							1285
18												552	567	487						1345
19													566	580	594					1405
20														579	593	606				1465
21															592	605	618			1525
22																605	617	630		1586
23																	618	630		1646
24																		631		1706

Bold figures indicate the height of the fabric profiles if the standard number of profiles for this size / angle are used. A reduction in height can be achieved by adding extra fabric profiles, which will attract a surcharge.

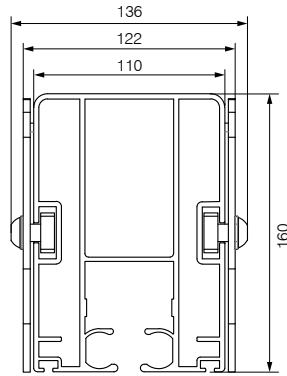
Retracted height at 10° angle (mm)



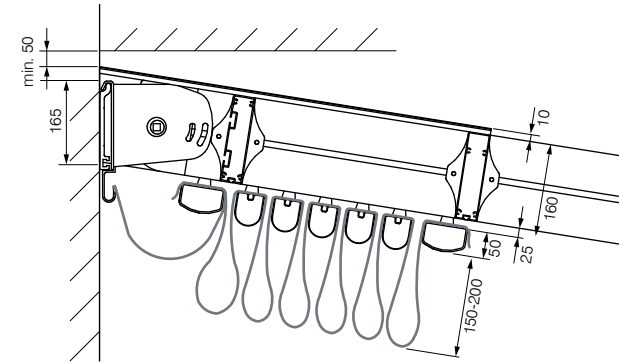
Wall bracket



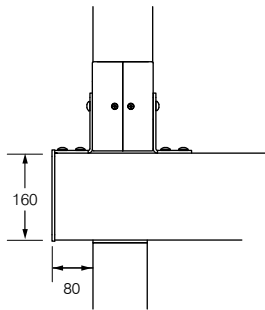
Hang bracket / bracket width



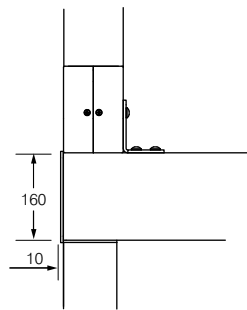
Retracted height detail



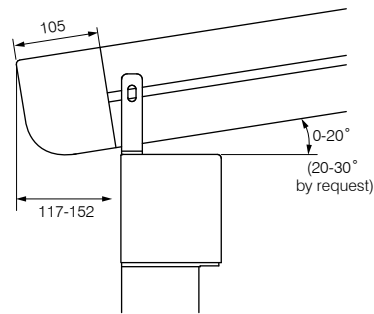
Rafter detail



Standard rafter detail



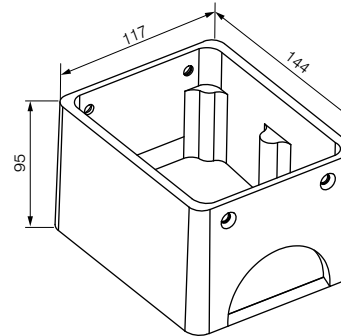
Optional flush rafter detail



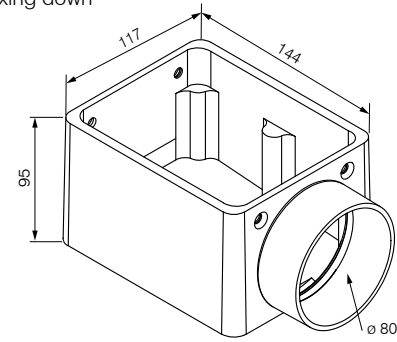
Front rafter angle

Post base

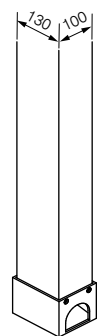
* Base has 2 x 13Ø holes for fixing down



Standard post base



Optional spout post base

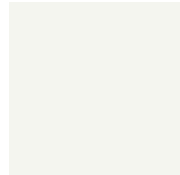


Post base detail

FABRIC COLOURS

Translucent

LAC650



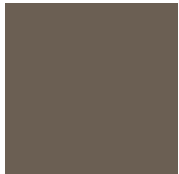
HS867 New White



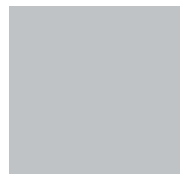
HS7462 Champagne



HS7409 Beige



HS7534 Taupe



HS654 Silver



HS652 Grey



HS7419 Slate



HS7456 Yellow



HS7646 Sage



HS7507 Red



HS941 Ocean Blue

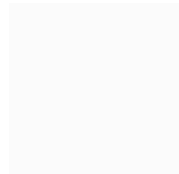


HS995 Federation Green

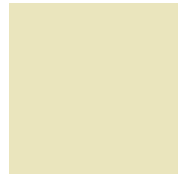


HS810 Black

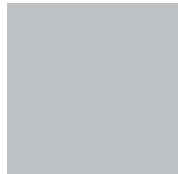
Sunblock



HS7279 White



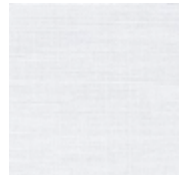
HS7398 Champagne



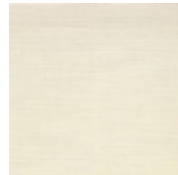
HS654 Grey

Plain

Sunblock



HS7463 White-Grain



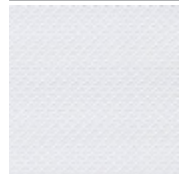
HS7464 Champagne-Grain



HS7469 Grey-Grain

Grain

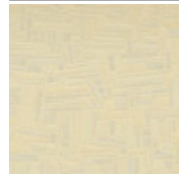
Sunblock



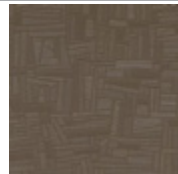
HS7543 White-HB

Herringbone

Sunblock



HS7511 Cream-MS



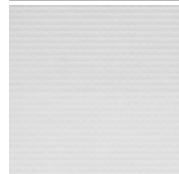
HS7510 Taupe-MS



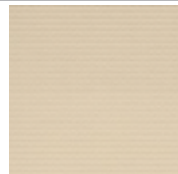
HS7512 Grey-MS

Mosaic

Sunblock



HS7677 White-CV



HS7678 Champagne-CV

Canvas

Fabric colour



Solar reflection



Solar absorbance



Thermal comfort



Solar transmittance

Translucent (680g/sqm)					
HS867	75	12	12°C	11	
HS7462	73	16	16°C	9	
HS7409	9	90	16°C	0	
HS7534	14	86	16°C	0	
HS654	46	54	16°C	0	
HS652	26	74	16°C	0.1	
HS7419	6	94	16°C	0	
HS7456	53	35	16°C	7	
HS7646	25	74	16°C	0	
HS7507	24	71	16°C	0.2	
HS941	27	66	16°C	0	
HS995	22	72	16°C	0.1	
HS810	5	95	16°C	0	
Sunblock (850g/sqm)					
HS7279	72	28	16°C	0	
HS7398	68	32	16°C	0	
HS654	45	55	16°C	0	
HS7463	72	28	16°C	0	
HS7464	68	32	16°C	0	
HS7469	45	55	16°C	0	
HS7543	72	28	16°C	0	
HS7511	68	32	16°C	0	
HS7510	16	84	16°C	0	
HS7512	45	55	16°C	0	
HS7677	72	28	16°C	0	
HS7678	68	32	16°C	0	