

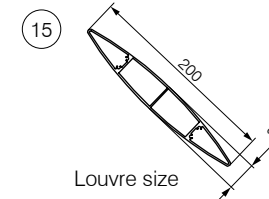
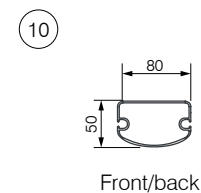
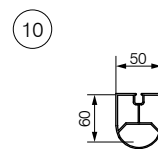
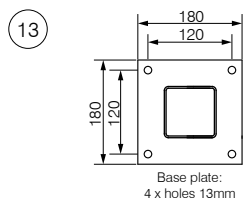
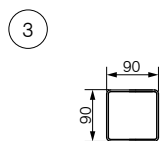
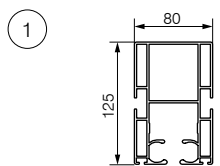
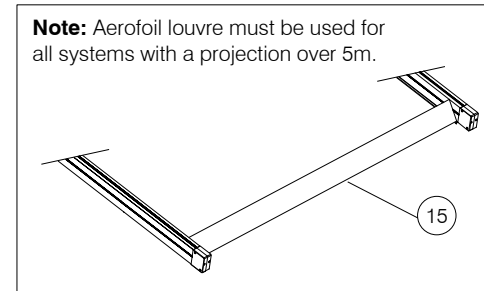
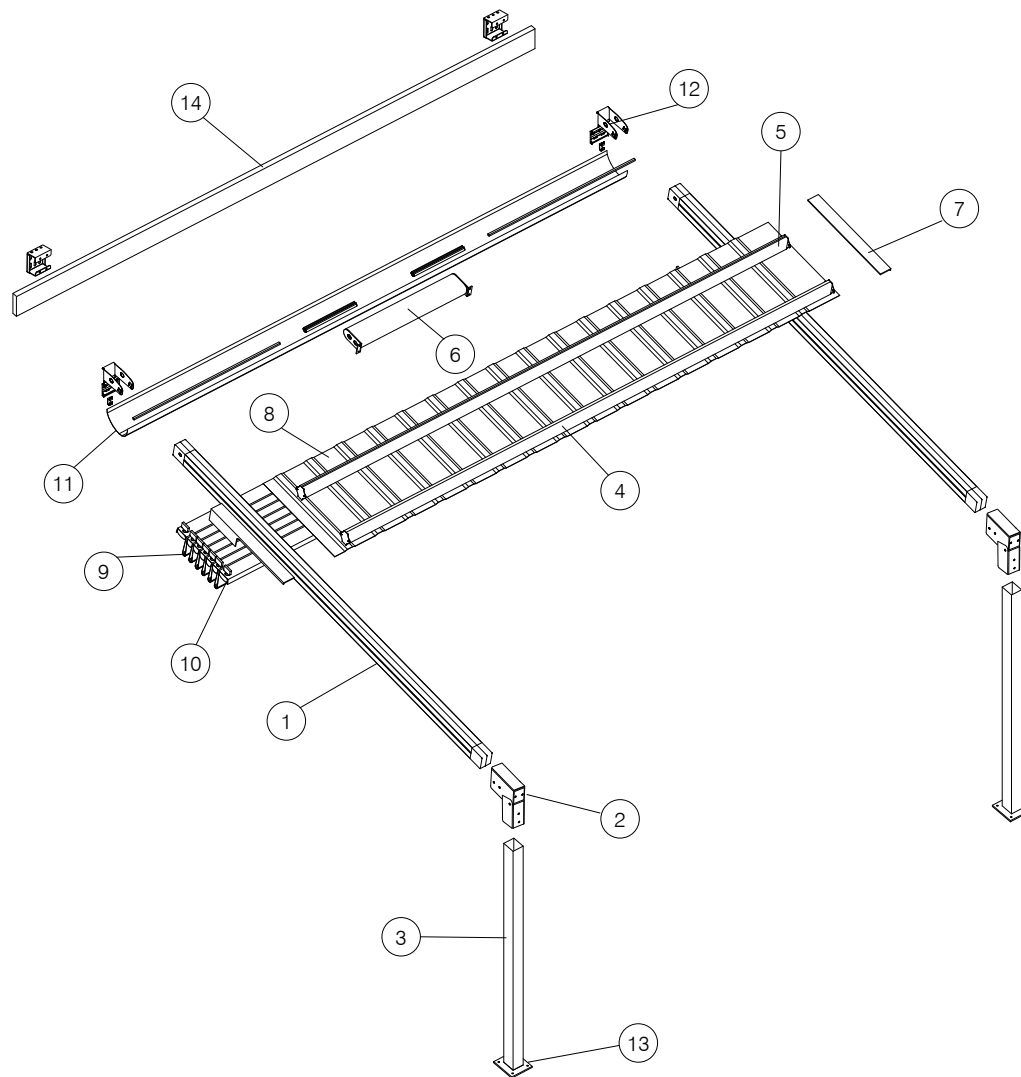


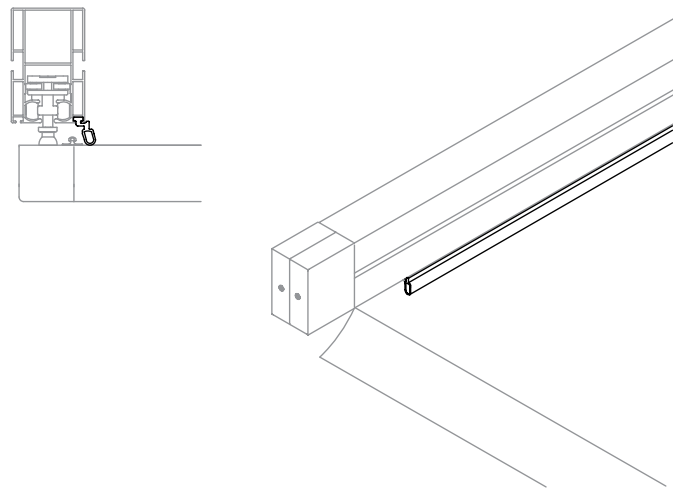
All Season Range  
**Design Series HS10**  
Technical Specifications



**helioscreen®**

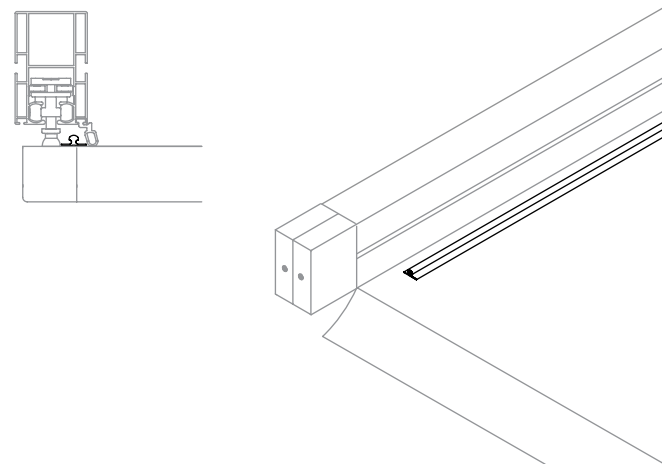
- 1 Rafter profile 80x125mm
- 2 Post pivot joint set
- 3 Post 90x90mm
- 4 Hood support
- 5 Motor support
- 6 Motor box
- 7 Hood end
- 8 Hood sheet
- 9 Fabric
- 10 Fabric profile
- 11 Motor flap
- 12 Wall bracket
- 13 Post base plate 180x180mm
- 14 **Optional** back beam & brackets
- 15 Aerofoil louvre fin





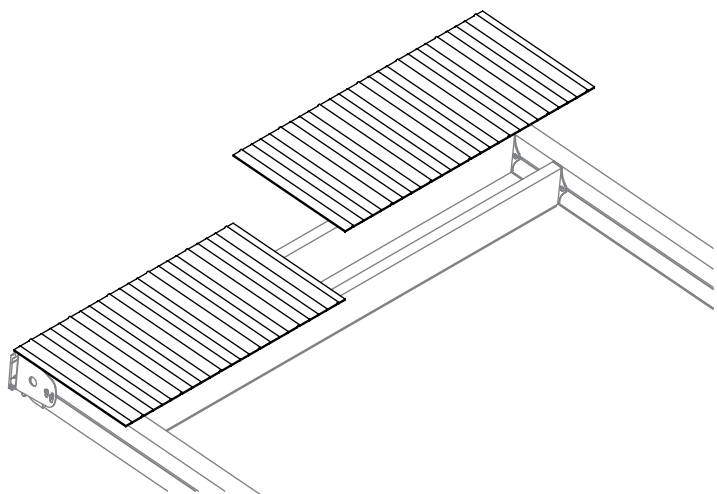
**Rafter rubber seal**

The rafter rubber seal is integrated into the edge of the rafter to help stop water dripping over the edge of the fabric by providing a soft barrier along the side of the system.



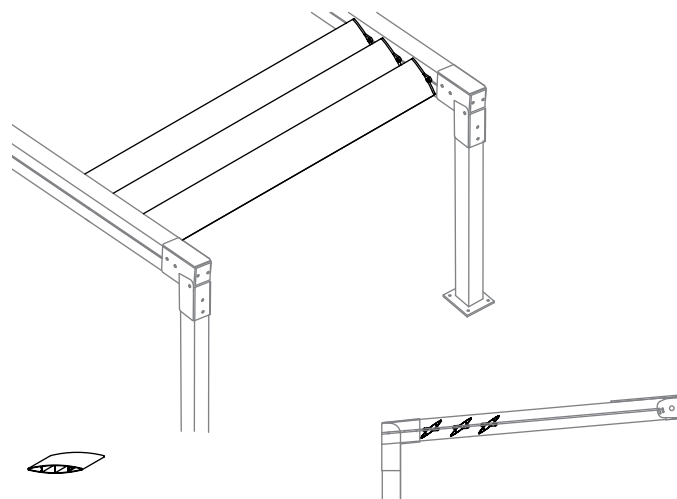
**Fabric tube spline rib**

The fabric tube spline rib is used in conjunction with the rafter rubber seal when systems are side by side to offer a greater protection from water dripping between systems. Fixing to the top side of the fabric the tube spline rib folds in and out with the system to create a second water barrier.



**Aluminium hood sheets**

The pressed aluminium sheets offer an attractive cover for when the system is retracted back and not in use. The low-profile sheet is colour matched to the system and ensures the fabric stays clean from above when not extended.



**Aerofoil louvres (Internal)**

Aerofoil louvre fins for shade and design may be added within the existing projection.

**DESIGN HS10 RETRACTED SYSTEM DIMENSIONS AT 10°**

No of fabric profiles	System projection (m)										Retracted fabric (mm)
	1.50	2.00	2.50	3.00	3.50	4.00	4.50	5.00	5.50	6.00	
4	<b>358</b>										504
5	321	<b>385</b>									564
6	303	355	<b>406</b>								624
7		338	381	<b>424</b>							684
8			366	402	<b>439</b>						745
9				389	421	<b>453</b>					805
10					410	438	<b>467</b>				865
11						428	454				925
12							445	<b>469</b>			985
13								461	<b>483</b>		1045
14								457	476	<b>497</b>	1105
15									473	491	1165
16										488	1225
<b>Retracted height at 10° angle (mm)</b>											

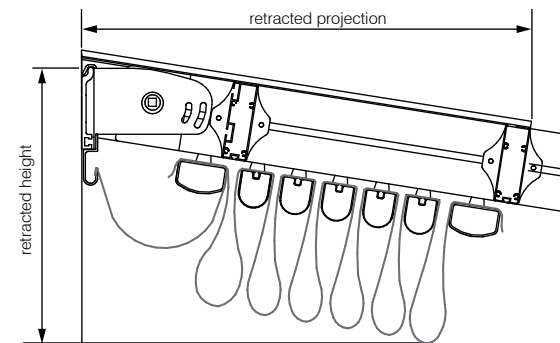
**DESIGN HS10 MINIMUM ANGLE CHART FOR WATER RUN OFF**

Rafter spacing (m)	Projection (m)								Angle
	2.50	3.00	3.50	4.00	4.50	5.00	5.50	6.00	
2.00	300	335	370	405	440	475	510	545	4°
2.50	343	386	430	473	517	560	604	647	5°
3.00	388	440	493	545	598	650	703	755	6°
3.50	475	545	615	685	755	825	895	965	8°
4.00	520	599	678	757	836	915	994	1073	9°
4.50	565	653	741	829	917	1005	1093	1181	10°
<b>Angle clearance (mm)</b>									

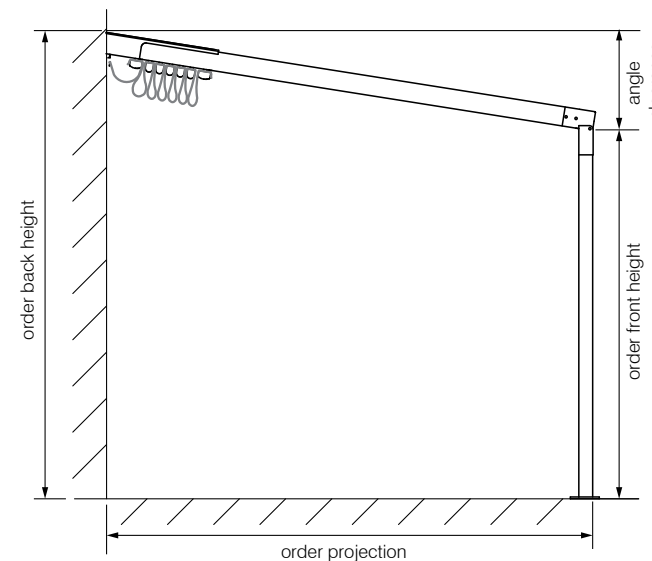
**HS10 Order front height**

Maximum standard post height 2.8m. Upgrade to custom steel posts for increased height available on application, subject to site specific details and installation requirements.

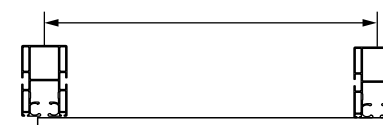
Bold figures indicate the retracted height of fabric if the standard number of profiles for this size / angle are used. A reduction in height can be achieved by adding extra fabric profiles, which will attract a surcharge.



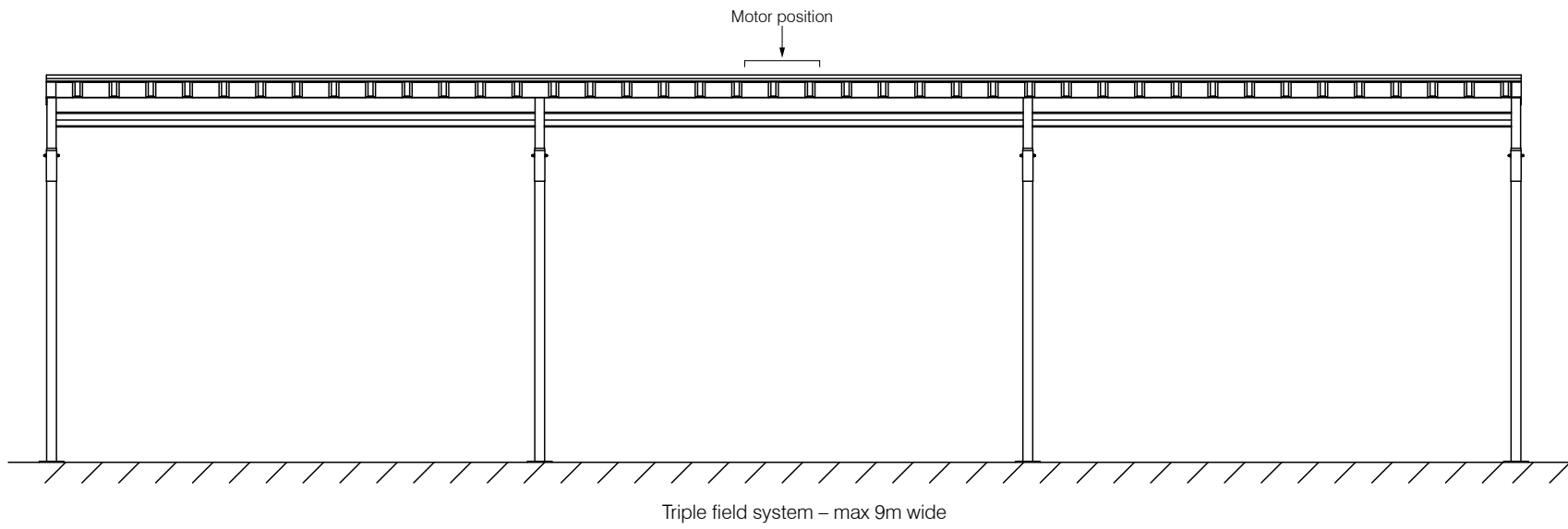
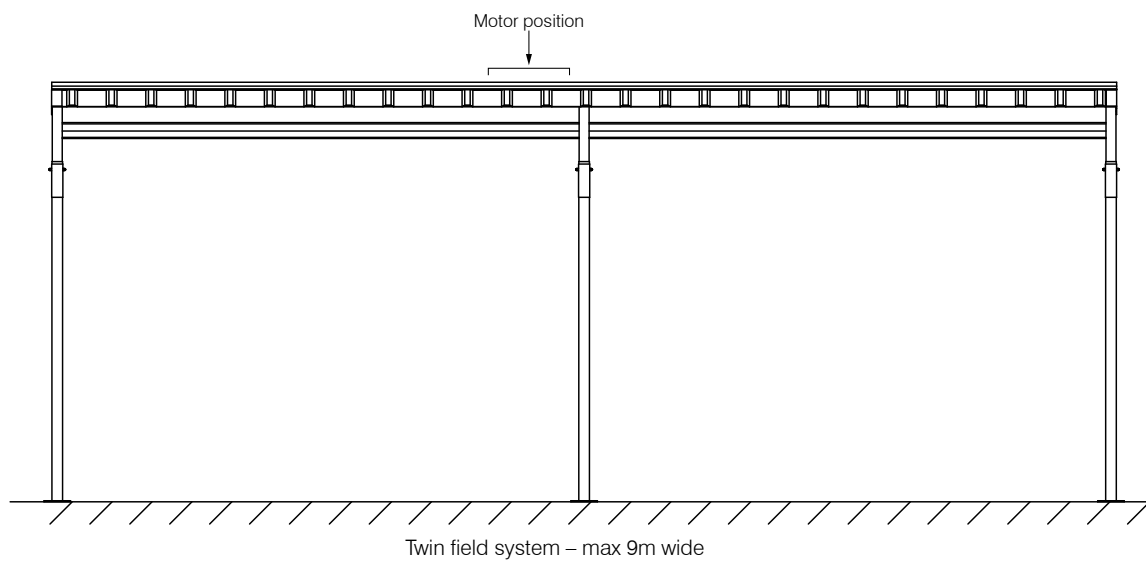
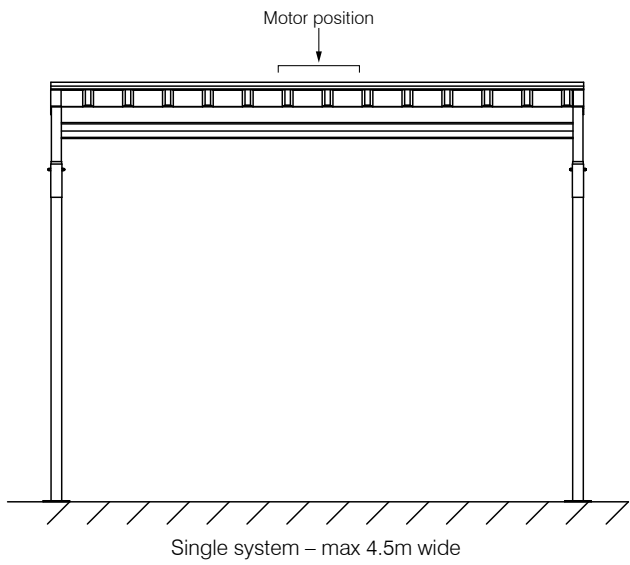
Retracted height measurements



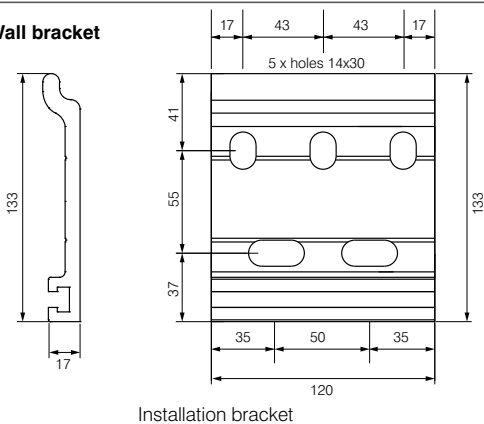
Minimum angle measurements



Rafter spacing



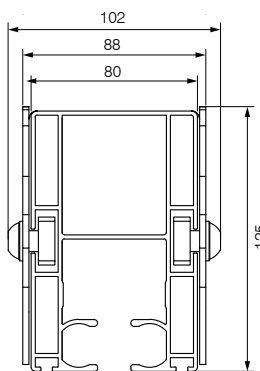
**Wall bracket**



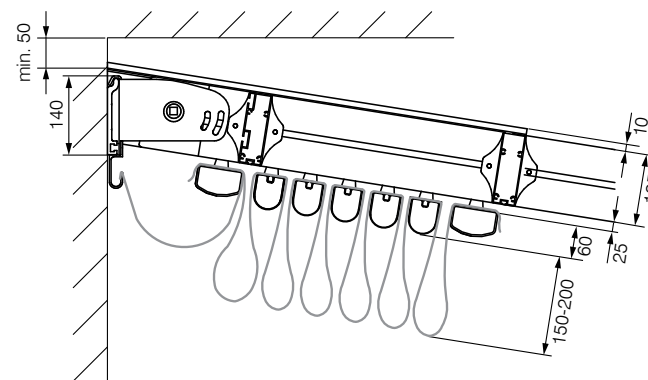
Installation bracket

\* Custom lengths available on request

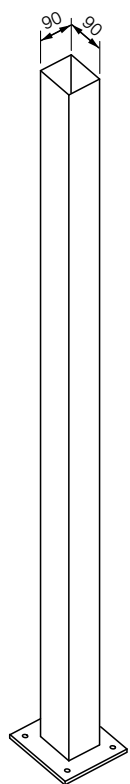
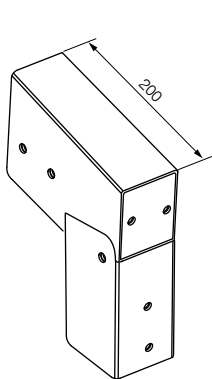
**Hang bracket / bracket width**



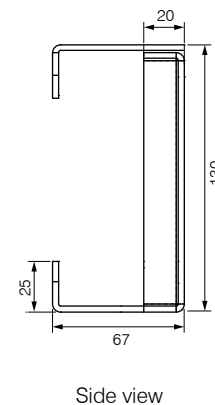
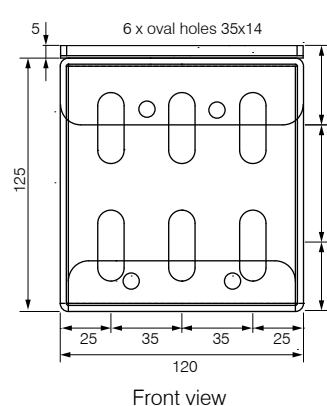
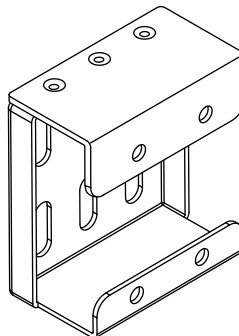
**Retracted height detail**



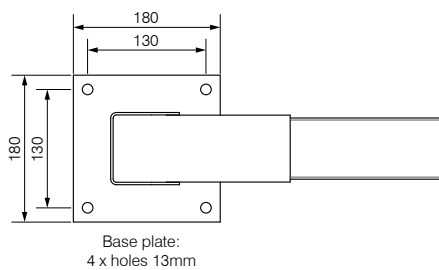
**Post & swivel elbow joint**



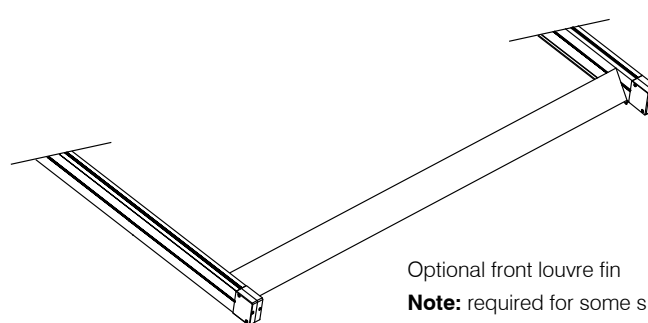
**Optional back beam bracket**



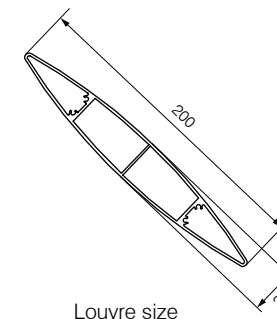
**Aerofoil louvre fin**



Swivel elbow joint & base plate plan view



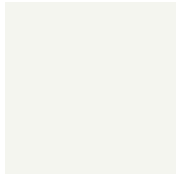
**Note:** required for some sizes



# FABRIC COLOURS

## Translucent

LAC650



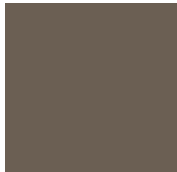
HS867 New White



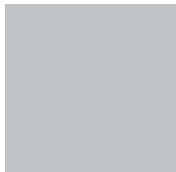
HS7462 Champagne



HS7409 Beige



HS7534 Taupe



HS654 Silver



HS652 Grey



HS7419 Slate



HS7456 Yellow



HS7646 Sage



HS7507 Red



HS941 Ocean Blue

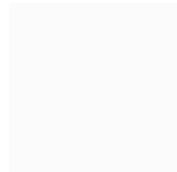


HS995 Federation Green



HS810 Black

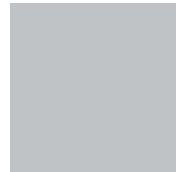
## Sunblock



HS7279 White



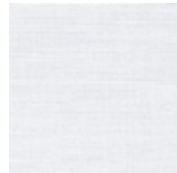
HS7398 Champagne



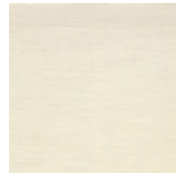
HS654 Grey

## Plain

## Sunblock



HS7463 White-Grain



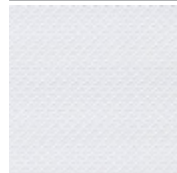
HS7464 Champagne-Grain



HS7469 Grey-Grain

## Grain

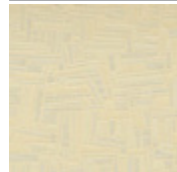
## Sunblock



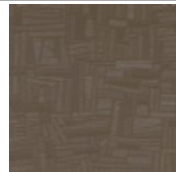
HS7543 White-HB

## Herringbone

## Sunblock



HS7511 Cream-MS



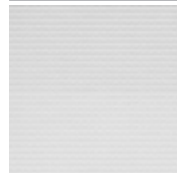
HS7510 Taupe-MS



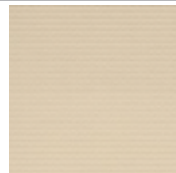
HS7512 Grey-MS

## Mosaic

## Sunblock



HS7677 White-CV



HS7678 Champagne-CV

## Canvas

Fabric colour



Solar reflection



Solar absorbance



Thermal comfort



Solar transmittance

Translucent (680g/sqm)					
HS867	75	12	12°C	11	
HS7462	73	16	12°C	9	
HS7409	9	90	12°C	0	
HS7534	14	86	12°C	0	
HS654	46	54	12°C	0	
HS652	26	74	12°C	0.1	
HS7419	6	94	12°C	0	
HS7456	53	35	12°C	7	
HS7646	25	74	12°C	0	
HS7507	24	71	12°C	0.2	
HS941	27	66	12°C	0	
HS995	22	72	12°C	0.1	
HS810	5	95	12°C	0	
Sunblock (850g/sqm)					
HS7279	72	28	12°C	0	
HS7398	68	32	12°C	0	
HS654	45	55	12°C	0	
HS7463	72	28	12°C	0	
HS7464	68	32	12°C	0	
HS7469	45	55	12°C	0	
HS7543	72	28	12°C	0	
HS7511	68	32	12°C	0	
HS7510	16	84	12°C	0	
HS7512	45	55	12°C	0	
HS7677	72	28	12°C	0	
HS7678	68	32	12°C	0	